

2390020100

Touchless Sensor

- ✓ Touchless sensor for Turbine Compact stations



Turbine



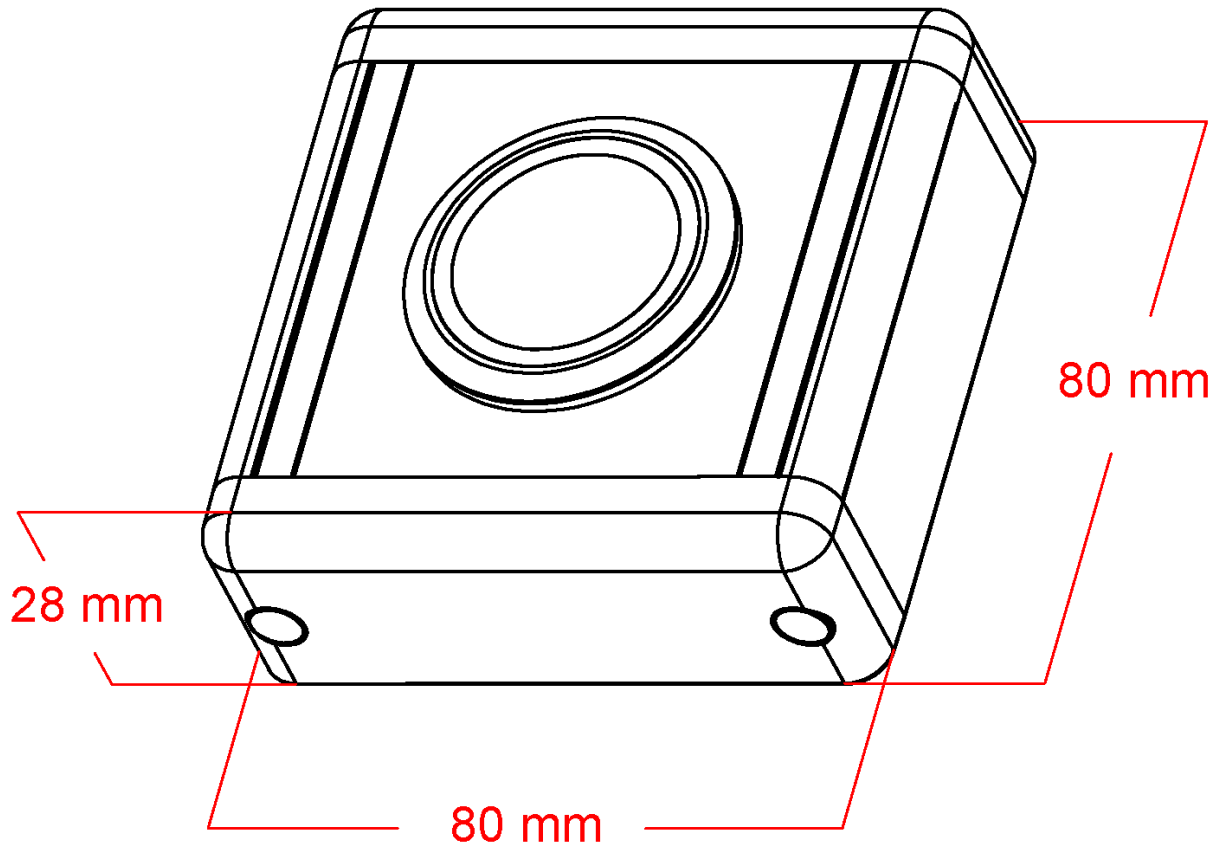
IP66

Beschreibung

The Touchless Sensor is used to activate intercom calls by gesture recognition, e.g. swipe of the hand. The unit includes a backbox for on-wall mounting and is compatible with our Turbine Compact Series.

[See Zenitel Wiki for more information](#)

Technical Dimensions



Spezifikationen

Dimensions (WxHxD)	80 x 80 x 28 mm
Weight	0.202 kg
Power	The sensor is powered by 5 volts. Most Zenitel IP stations has a built-in 5V output which can be used
Outputs	N.O, N.C, COM
Ingress Protection Rating	IP66
Sensor distance	150 mm
Sensor active time	0,5 secs
Lifetime	Infrared sensor:100 000 hours / Relay mechanical lifespan:100 000 times
Indicators	Standby RED ; Proximity GREEN
Backbox material	Stainless Steel / PC / Aluminum Alloy
Operating temperature	-10° C to +70° C
Country of manufacture	Norway

Used With



[TCIV-2+ | Video intercom](#)

IP and SIP Video Intercom

Artikelnummer 1008315020



[TCIV-3+ | Video intercom](#)

IP and SIP Video Intercom

Artikelnummer 1008315030



[TCIV-5+ | Video intercom](#)

IP and SIP Video Intercom

Artikelnummer 1008315050



[TCIV-6+ | Video Intercom](#)

IP and SIP Video Intercom

Artikelnummer 1008315060



[TCIS-1 | Audio Intercom](#)

IP and SIP Intercom

Artikelnummer 1008111010



[TCIS-2 | Audio Intercom](#)

IP and SIP Intercom

Artikelnummer 1008111020



[TCIS-3 | Audio Intercom](#)

IP and SIP Intercom

Artikelnummer 1008111030



[TCIS-4 | Audio Intercom](#)

IP and SIP Intercom

Artikelnummer 1008111040



[TCIS-5 | Audio Intercom](#)

IP and SIP Intercom

Artikelnummer 1008111050



TCIS-6 | Audio Intercom

IP and SIP Intercom

Artikelnummer 1008111060



TCIS-C1 | Audio Intercom

IP and SIP Intercom

Artikelnummer 1008111901