



1008115060

TCIV-6

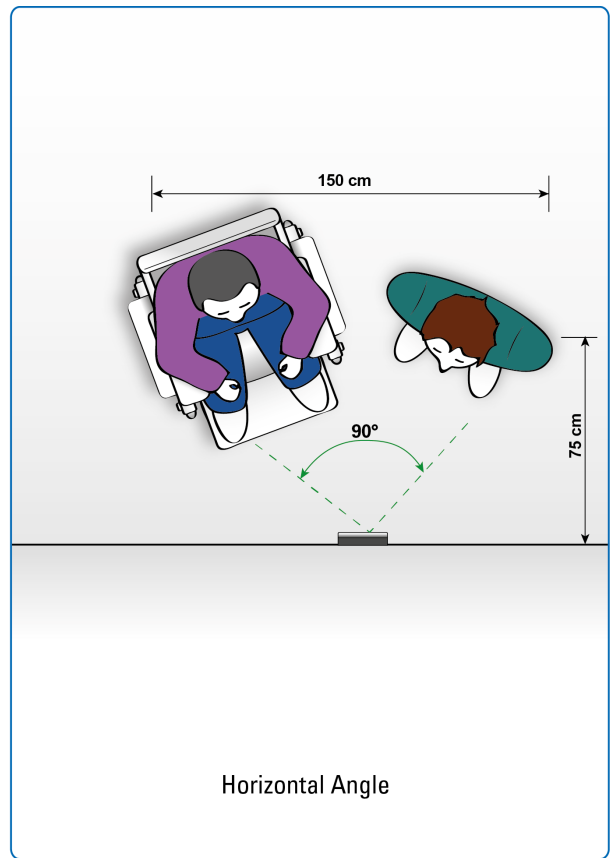
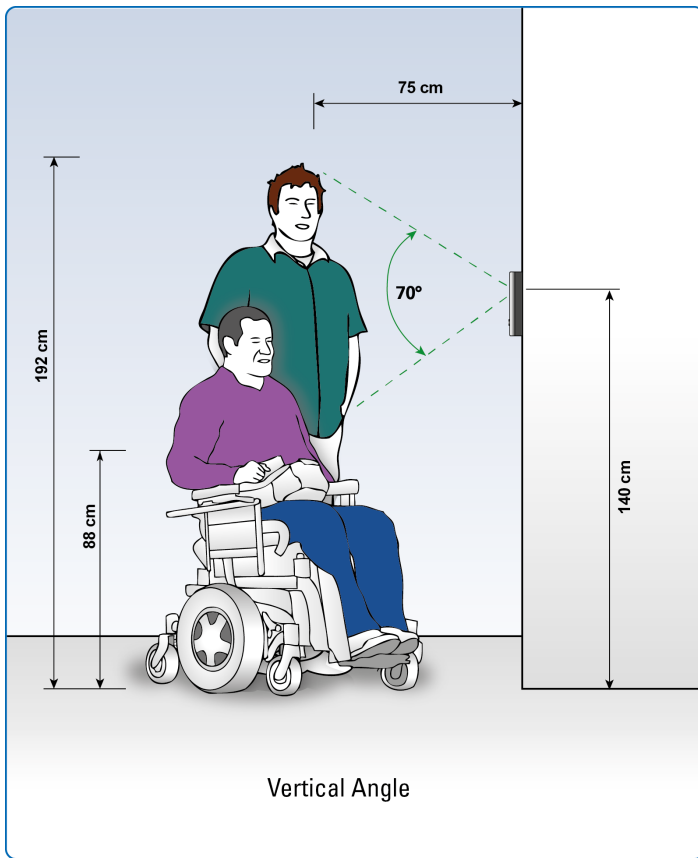
IP and SIP Video Intercom This product has been replaced by 1008315060 TCIV-6+

- ✓ Video at up to 25 FPS (480P)
- ✓ MJPEG and H.264 for integration towards most Video solutions
- ✓ Designed according to Disability Act requirements
- ✓ Background noise cancellation
- ✓ Dirt, dust and water resistant - rating IP-65
- ✓ Built to last with robust die-cast aluminum frame - rating IK08
- ✓ Supports wide set of IP and networking standards
- ✓ Black thermoplastic front plate with scrolling unit for calling to unlimited number of places
- ✓ PMOLED display
- ✓ Ideal for Building Security and Public Environments

Description

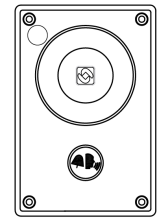
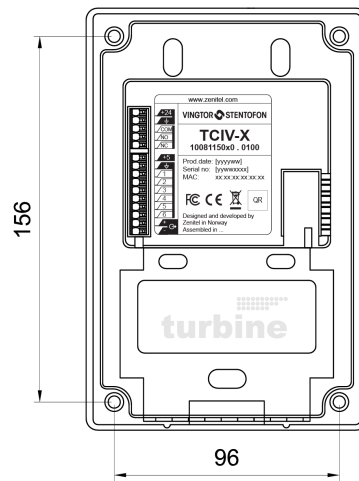
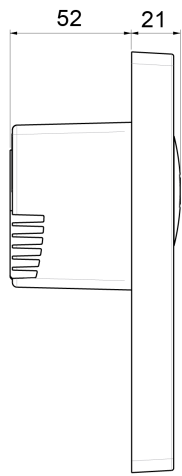
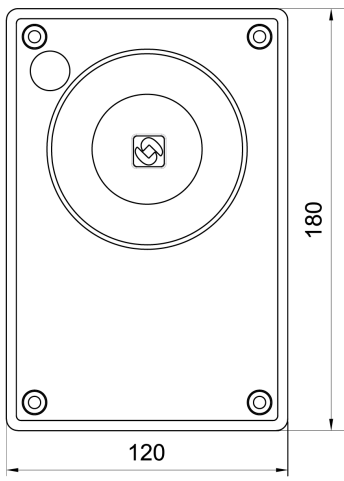
All IP stations in the Turbine series utilize the latest technology to create unparalleled audio quality. Some of the many features include: HD voice quality, Open Duplex, Active Noise Cancellation, MEMS microphone, a 10W Class D amplifier and our unique speaker grille design. These features, in conjunction with the company's 65+ years of experience with acoustic technology are only a few of the many factors that contribute to our superior audio quality. The Turbine IP Video range expands this feature set with wide FoV Video, Digital PTZ and support for H.264 or MJPEG.

Field of View

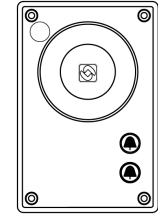


See also: [additional documentation on wiki.zenitel.com](https://wiki.zenitel.com)

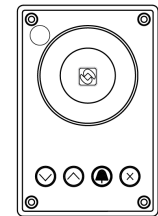
Technical Dimensions



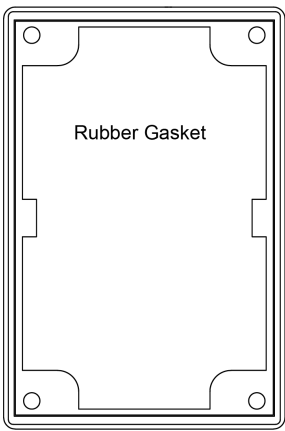
TCIV-2
TCIV-3



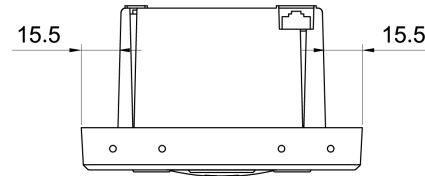
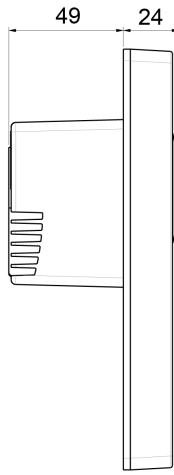
TCIV-5



TCIV-6



Rubber Gasket



All dimensions in mm

Specifications

AUDIO

SPL peak power at 1m in open duplex	90 dB
SPL peak power at 1m in half duplex	100 dB
SPL peak power at 1m in program distribution and announcement	100 dB
Noise cancelling - suppression of musical noise	YES
Noise cancelling - suppression of static noise	YES
Noise cancelling - suppression of rapidly changing noise	YES
Codecs	G.711, G.722, G.729
Frequency range, G.722 Codec	200 Hz – 7000 Hz
Audio technology	Modes: Full open duplex, switched open duplex Adaptive jitter buffer Custom Ringing Tone Audio Mixing – Conversation and Group Call Sound Level Detection / scream alarm (only in AlphaCom) Automatic gain control (microphone)
Internal speaker amplifier	10 W class D
Microphone technology	Digital MEMS, omnidirectional microphone
Automatic Volume Control (AVC)	Undistorted and clear audio
Acoustic Echo Cancellation (AEC)	Prevents audio feedback even at high volumes (95dB)
10W Speaker	Matches 10W amp for distortion-free broadcast level sound

VIDEO

Image Sensor	1/2.5" RGB CMOS
Lens	3.4mm, F3.5, fixed iris, fixed focus 40cm to infinity
Light Sensitivity	Down to 5 lux
Resolution	320x240 / 640x480 pixels
Frame Rate	Up to 25 FPS in 480P *
Supported Codecs	MJPEG, H.264 **
Digital PTZ	Yes
Digital Zoom	Up to 2.5x
Field of View	horizontal=90 degrees, vertical=60 degrees ***
Snapshot Function	No
	* 25 FPS is only supported in H.264 mode, while MJPEG is limited to 10 FPS. FPS options do not depend on resolution, only on codec.
	** AlphaCom mode supports only RTSP H.264 mode, while other modes support SIP H.264.
	*** FoV depends on video mode (may be subject to change)

HARDWARE

Ethernet connector	1 x RJ-45
All other connectors	Tool less, spring loaded, vibration proof terminals
General inputs and outputs	6 (configurable)
Outputs	12mA as LED drivers
Change-over relay (NO+NC+COM)	Max: 250VAC/220VDC, 2A, 60W
Power options	PoE and or external power supply
PoE (Power over Ethernet)	IEEE 802.3af standard, Class 0 (0.44W to 12.95 W)
External power supply	24 VDC (16 – 48 V)
Power consumption	Idle 3.5W, max 12W (depending on volume)
Audio Line out / Induction loop signal	600 Ohm
Button backlight	LED
Call indication	Icons/colors for hearing impaired
Door open indication	Icons/colors for hearing impaired
Display technology	PMOLED
Display contrast	20000:1
Viewing angle	160 deg
Display brightness	120 cd/m2
Display lifetime	50 000 hours/5 years

CONSTRUCTION

Dimensions (HxWxD)	180 x 120 x 73 mm / 7.1" x 4.7" x 2.9"
Dimensions after flush mount	180 x 120 x 24 mm / 7.1" x 4.7" x 0.9"
Dimensions with on wall box	180 x 120 x 86 mm / 7.1" x 4.7" x 3.4"
Weight	1 kg / 2.2 lbs.
Faceplate material	3 mm / 0.12" PMMA, color printed on backside
Base / frame material	3 mm / 0.12" Aluminum alloy - A413.0, AISi12Fe, painted
Electronics cover material	Polycarbonate (translucent)
Gasket material	Silicone rubber
Fastening bracket material	SECC Steel
Button material	3 mm / 0.12" Polycarbonate (transparent)
Button travel length	1.25 mm
Button activation force	350 gf
Button push-cycles before failure	300 000
Loudspeaker poke protection, large diameter object	3D cast aluminum speaker grille
Loudspeaker poke protection, small diameter objects	Stainless steel mesh, acoustically transparent
Anechoic Design	Open flow anechoic design eliminates "standing waves"

NETWORKING & PROTOCOLS

Protocols	IPv4 (with DiffServ), SIP, TCP, UDP, HTTPS, TFTP, RTP, RTSP, RTCP, SRTP, DHCP, SNMP, Vingtor-Stentofon CCoIP®, NTP, ONVIF, WS-Discovery
LAN protocols	Power over Ethernet (IEEE 802.3 a-f) Network Access Control (IEEE 802.1x)
Management and operation	HTTP/HTTPS (Web configuration). DHCP and static IP. Remote automatic software upgrade. Centralized monitoring.
Advanced supervision functions	E.g network test, tone test, status reports (only in AlphaCom)
SIP support	RFC 3261 (SIP base standard) RFC 3515 (SIP refer) RFC 2976 (SIP info), SIP using TLS, RFC 5630 SIPS URI scheme
DTMF support	RFC 2833, 2976 (SIP info)
Integration and API	AlphaCom, Scripting (plugins)

ENVIRONMENTAL

IP rating	IP-65, tested according to EN 60529 (applies when mounted in TA-1 back box)
Operating temperature range	-30° to 70° C / -22° to 158 ° F
Storage temperature range	-40° to 70° C / -40° to 158 ° F
Relative humidity	< 95% not condensing
Corrosion	Salty mist, tested according to EN60945
Vibration	Tested according to EN60945
UV-resistant	YES
EMC	CE and FCC Part 15 UN Regulation 10, revision 4 + Corr.1 + Amend.1
Compliances	IEC/EN 61000-6 Light and heavy industry IEC/EN 50486 Equipment for use in audio video door-entry systems

CERTIFICATIONS

Certificates	UL 60950-1, cUL 60950-1, CB to IEC 60950-1
ONVIF Conformance	Profile S for streaming video

OTHER SPECIFICATIONS

IP address information	Speaks IP address after system boot
Button lifetime	> 1 000 000 cycles
Country of manufacture	Poland

Accessories



TA-1

Turbine Compact Onwall Back Box

Item Number: 1008140010



TA-2

US 2-Gang 3 1/2" Deep Backbox

Item Number: 1008140020



TA-5

Bracket for US 2 GANG Double Depth
Back Box

Item Number: 1008140050



TA-18

Turbine Compact Flush-Mount Back Box

Item Number: 1008140180



TA-14

Microphone windshield for TCIS / TCIV

Item Number: 1008140140

Used With



IP Desktop Video Station

with Touchscreen Display and Handset

Item Number: 1408001635



ITSV-1

IP Touch Station with Video This product has been replaced by 1490002010 ITSV-2

Item Number: 1490001010