

3006200039

VSP-5004/2

Ex Buffer Unit w 2x Zener Barrier



- ✓ Intrinsically safe buffer unit for mounting in safe area
- ✓ Supports up to 4 Ex(i) telephones - VSP-512
- ✓ 4x 24V DC outputs to Ex signal units
- ✓ 4 call signal outputs to safe area
- ✓ Delivered in a painted steel cabinet for wall mounting
- ✓ Preinstalled 2 zener barriers (4 ext.) for 24V DC I.S. sounders in zone 0
- ✓ (½ x zener barrier for each sounder)

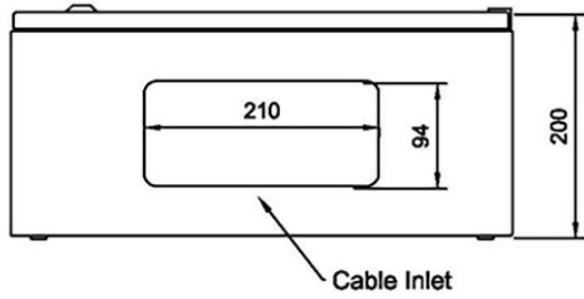
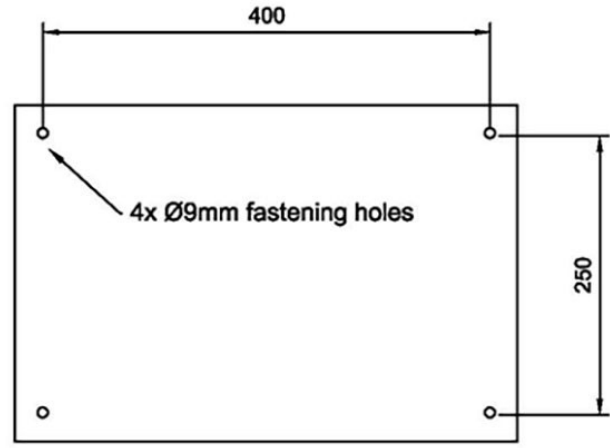
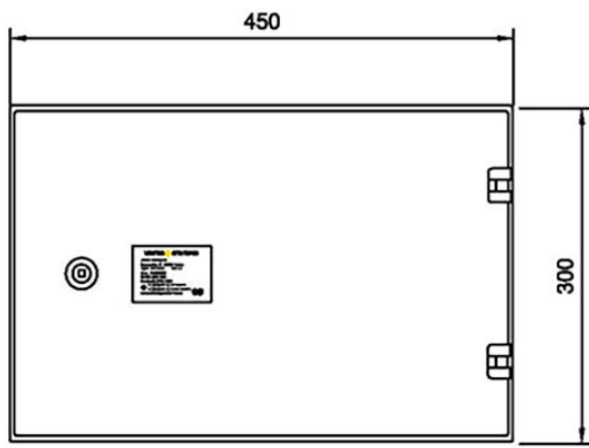


Description

Ensures uninterrupted communication between Ex- and safe zone in a Batteryless telephone system (VSP). To be mounted in Safe area with Barriers into the Hazardous (Ex) area. It accommodates up to 4 Batteryless telephones within the system, enabling seamless communication. Call signals are distributed in the Hazardous area via EX(d) signal units controlled by relay outputs. Encased in a durable painted steel cabinet designed for wall mounting. It is preinstalled with 2 zener barriers (4 extension numbers) for 24V DC sounders in zone 0 guaranteeing reliable operation and enhanced safety in hazardous environments.

- ✓ Type Nos. for buffer units with other configurations:
- ✓ VSP-5004 with no additional zener barriers (Only Ex(d) sounders)
- ✓ VSP-5004/1 with 1x zener barrier (2 ext. No./ I.S. Sounder)

Technical Dimensions



Specifications

Dimensions (WxHxD)	450 x 300 x 200 mm
Mounting	Wall mounted
Weight	11.0 kg
Housing	Steel cabinet
Color	Beige / RAL 7032
Cable entry	Pre-cut cable inlet in bottom
Connections	Screw terminals
Operation voltage	24V DC
Power Consumption	10W (max)
Protection mode	[Ex ia Ga] IIC -20°C ≤ Ta ≤ +60°C
Certificate	Presafe 15 ATEX 6475 / IECEX PRE 15.0024
IP-rating	IP-44

Used With



VSP-512

Intrinsically Safe Operating Unit

Item Number: 3006200044