

3006100056

HP-15TF

Hornspeaker 15W



- ✓ Horn Loudspeaker for open deck and machinery spaces.
- ✓ Excellent for P.A. / Intercom
- ✓ With transformer for 100V amplifier line
- ✓ 2x M20 cable gland (7-14mm)
- ✓ Fuse



IP66



IP67

Description

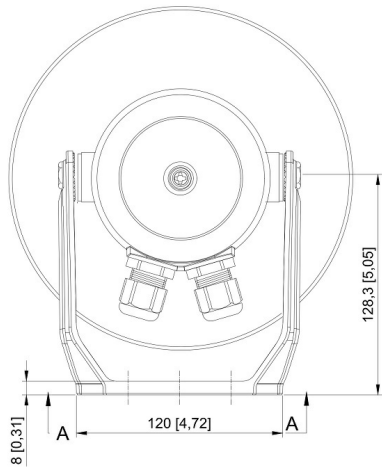
To install the loudspeaker:

- ✓ Fasten the loudspeaker to the wall/ceiling with two screws through the foot bracket.
- ✓ Remove the lid by 1 screw, lead cable trough cable gland, select required tapping, and connect to the terminal
- ✓ To change the position of the loudspeaker please adjust the bracket (by loosening/tightening the screws) as required.

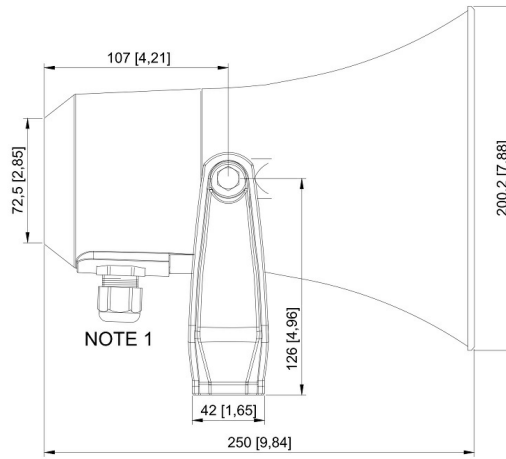
For optimum performance, always use the correct voltage/power and operate within the frequency limits as stated. Do not open the loudspeaker when energized.

Technical Dimensions

LEFT VIEW



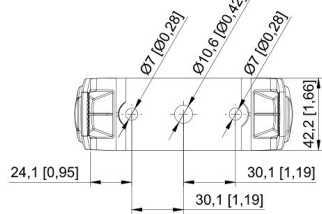
FRONT VIEW



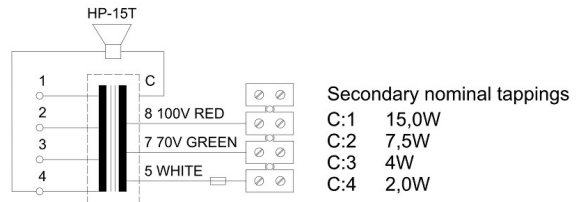
NOTES:

1. M20 cable gland. Cable diameter 7-14mm
2. All outside nuts, bolts and washers in stainless steel

DETAIL VIEW A-A



CIRCUIT DIAGRAM



Specifications

GENERAL

Material / Colour	ASA / RAL 7035
Dimensions	Ø 200 x 250D
Mounting	Bracket
Termination	Inside screw connections
Weight	1,7 kg
Max. / min. amb. temp	90°C / -50°C
Rated / Max power	15W / 20W
SPL 1W / 1 m	108 dB
SPL rated power	118 dB
Effective freq. range	330-8000 Hz
Dispersion (-6dB) 1kHz / 4kHz	130° / 35°
Directivity factor, Q	8,3
Ingress protection	IP66/67
Environmental Condition	Exposed