

2131000205

VES-561TF

Ceiling loudspeaker flushmounted, 6W



Description

5" 6W BS5839 Part8 VA compliant bayonet fast fit metal ceiling speaker complete with steel firedome, ceramic terminal block and thermal fuse. Dual M20 top or side cable entry options, 7 step ratchet secure fitting, fold away terminal block, and a 3 legged cam variable ceiling thickness mounting make this the most popular selling low cost VA/PA speaker in the range.

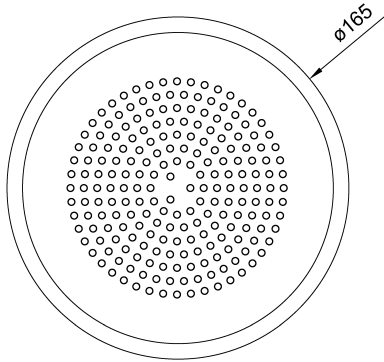
Installation, Operation and Maintenance Procedure

- ✓ Install the steel box into the cut-out hole turning the screws connected to the three hooks, screw clockwise until the ring is fixed to the ceiling.
- ✓ Lead cable through cable gland and connect to terminal.
- ✓ Turn the grill gently clockwise within the ring until it stops.
- ✓ For optimum performance, always use the correct voltage / power and operate within the frequency limits as stated.

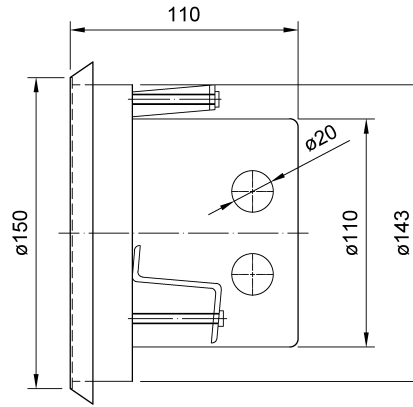
- ✔ If 70V, replace red cable with the green cable in the terminal.
- ✔ Do not open loudspeaker when energized.

Technical Dimensions

FRONT VIEW



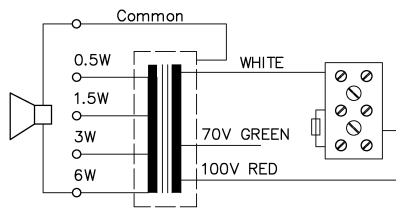
LEFT VIEW



NOTES:

Cutout diameter to be min. 143mm and max. 147mm

CIRCUIT DIAGRAM



Secondary nominal tapings

C: 6	6,0W
C: 3	3,0W
C: 1,5	1,5W
C: 0,5	0,5W

Specifications

GENERAL

Dimensions	Ø165 x D112
Material / Color	Steel / White
Mounting	3 screws
Termination	Ceramic terminals
Weight	1,1 kg
Max. / min. amb. temp	110°C / -20°C
Transformer	For 100V line
Rated / max. power	6 W / 8 W
SPL 1W/1m	90 dB
SPL rated power	97 dB
Effective freq. range	180 – 13000 Hz
Dispersion (-6dB) 1kHz / 4kHz	185° / 80°
Power tapping	0,5W, 1,5W, 3,0W, 6,0W
Cable inlet 1	2x M20 knock outs for cable gland
Cable inlet 2	2x M12 knock outs for cable gland
Fuse	Term. fuse 130°C
IP rating	32C
Environmental Condition	Protected