

1020600993

IRR-4

Relay box

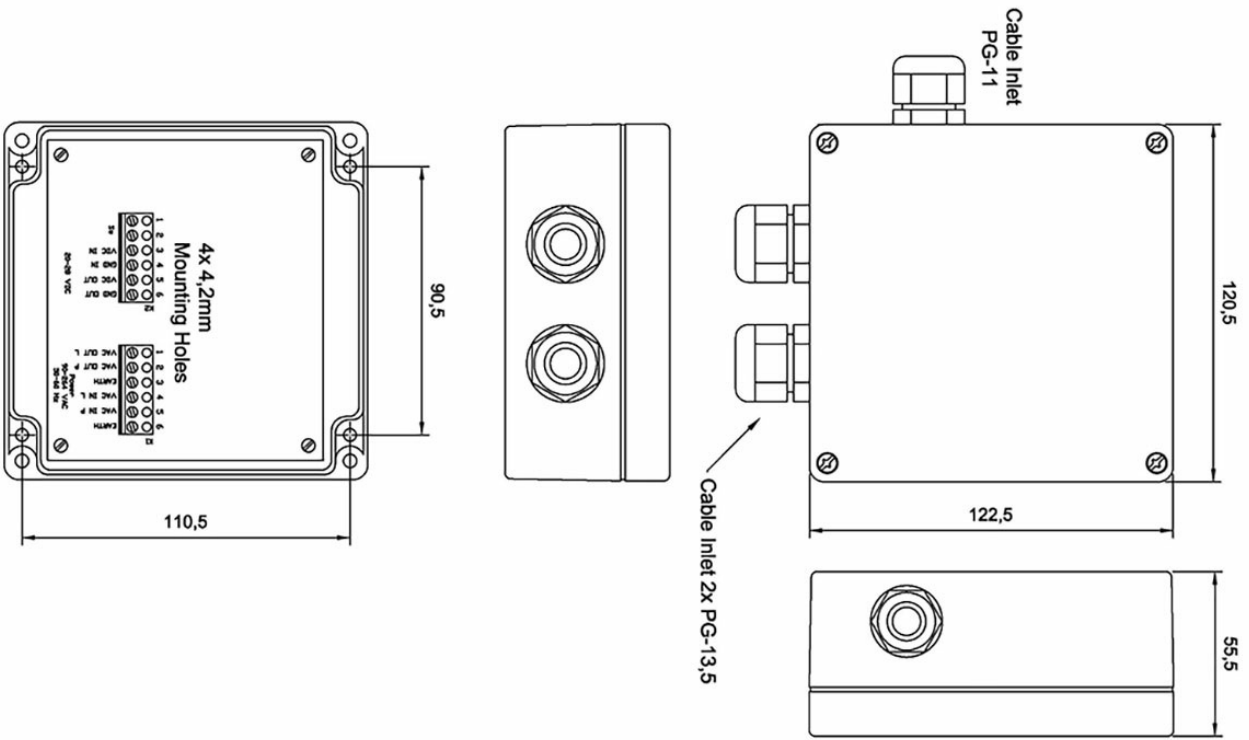
 IP66

Description

- ✓ Multi-purpose relay unit for closing contact control signal to active external signal devices
- ✓ Capable of powering units using 24V DC and/or 115V AC / 230V A

The IRR-4 can be used to activate an extra signal device, such as rotary or stroboscopic light, in noisy areas. Connect a potential-free normal open signal to the control input of the relay box, a power supply to the correct input and connect your signal device to the correct output. When the control input shorts, the output will engage the power.

Technical Dimensions



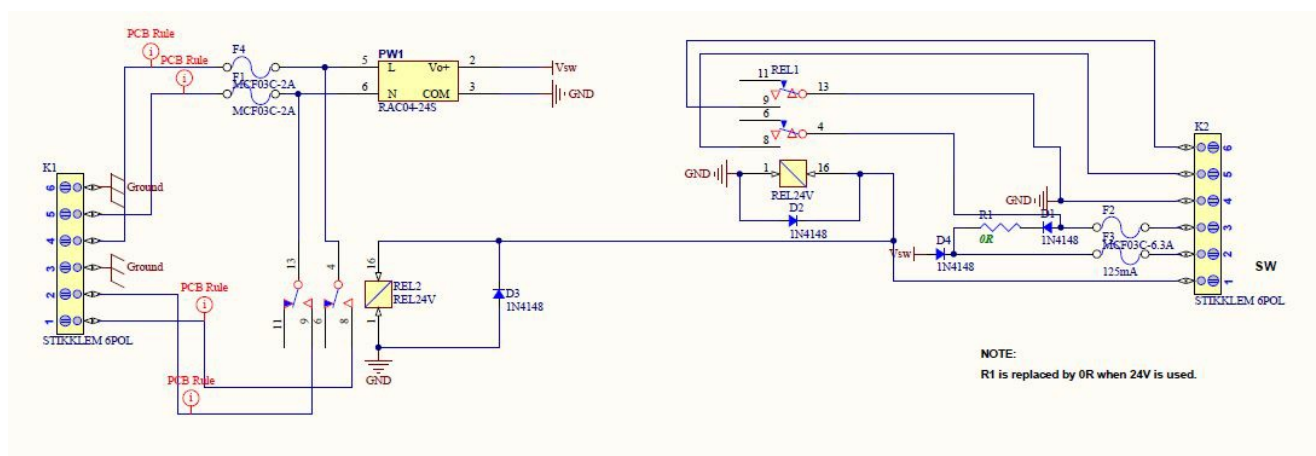
Specifications

GENERAL

Material / Color	ABS / Grey
Dimensions (mm) W x H x D	120.5 x 122.5 x 55.5
Mounting	Wall
Cable inlet	1 x PG-11, 2 x PG-13.5
Ingress Protection Rating	IP-66
Termination	Removable screw terminals

ELECTRICAL

Operating Voltage	20-28 VDC
Relay Breaking Current (AC/DC)	6.3A (fuse)



Terminal description	
K1-1	VAC out L
K1-2	VAC out N
K1-3	EARTH
K1-4	VAC in L
K1-5	VAC in N
K1-6	EARTH
K2-1	SW in (+24V DC) - Relay
K2-2	SW out (24V DC) - Source
K2-3	V DC in
K2-4	OV / GND
K2-5	+ 24 V DC out (via Relay)
K2-6	EARTH