

3006202013

## PLM-54

Cabinets For Outdoors Installations

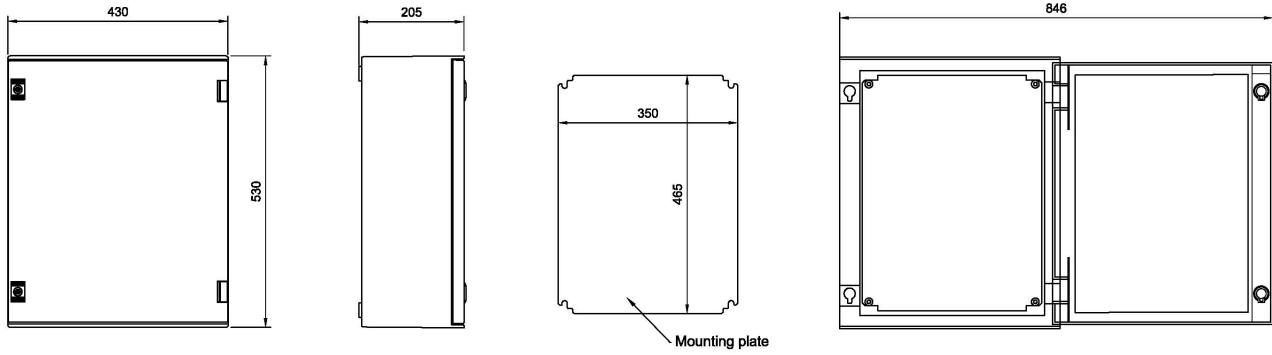
 IP66

### Description

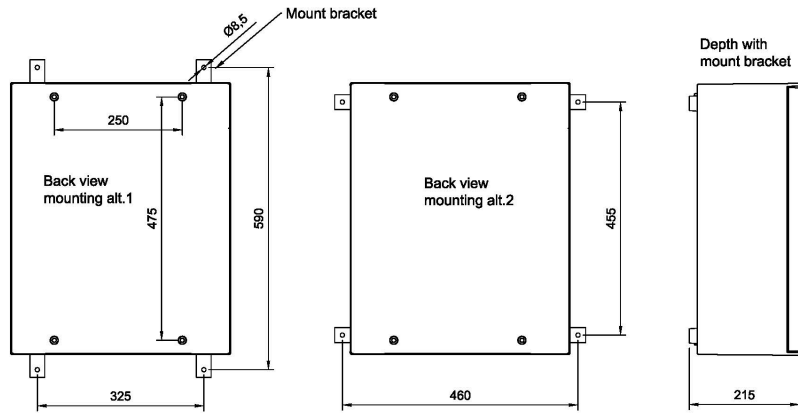
- ✓ Plain wall mounting using a mounting plate
- ✓ Colour grey RAL 7035
- ✓ Corrosion resistant
- ✓ Double chromed zinc coated steel plates
- ✓ Wall mounting set for outside mounting to wall
- ✓ Protection IP-66

Addition for PLM-54M  
M20 Cable Glands

# Technical Dimensions



Mounting plate



CABINET TECHNICAL DATA	
Material	Polyester reinforced with fibreglass
Color	RAL 7035 grey
Weight	9.3 kg
Wallbrackets	4pcs. included
Mounting plate	Included
Protection	IP-66

# Specifications

## GENERAL

PLM-54	Seawater Resistant Cabinet IP-66
Dimensions (WxHxD)	430 x 530 x 200 mm
Weight	9.3 kg
Additional mounting plate:	Dimension 255 x 154 mm