

3006102011

BEX-240

Beacon EX BEXBG05D 24V DC



IP66



IP67



Atex

Description

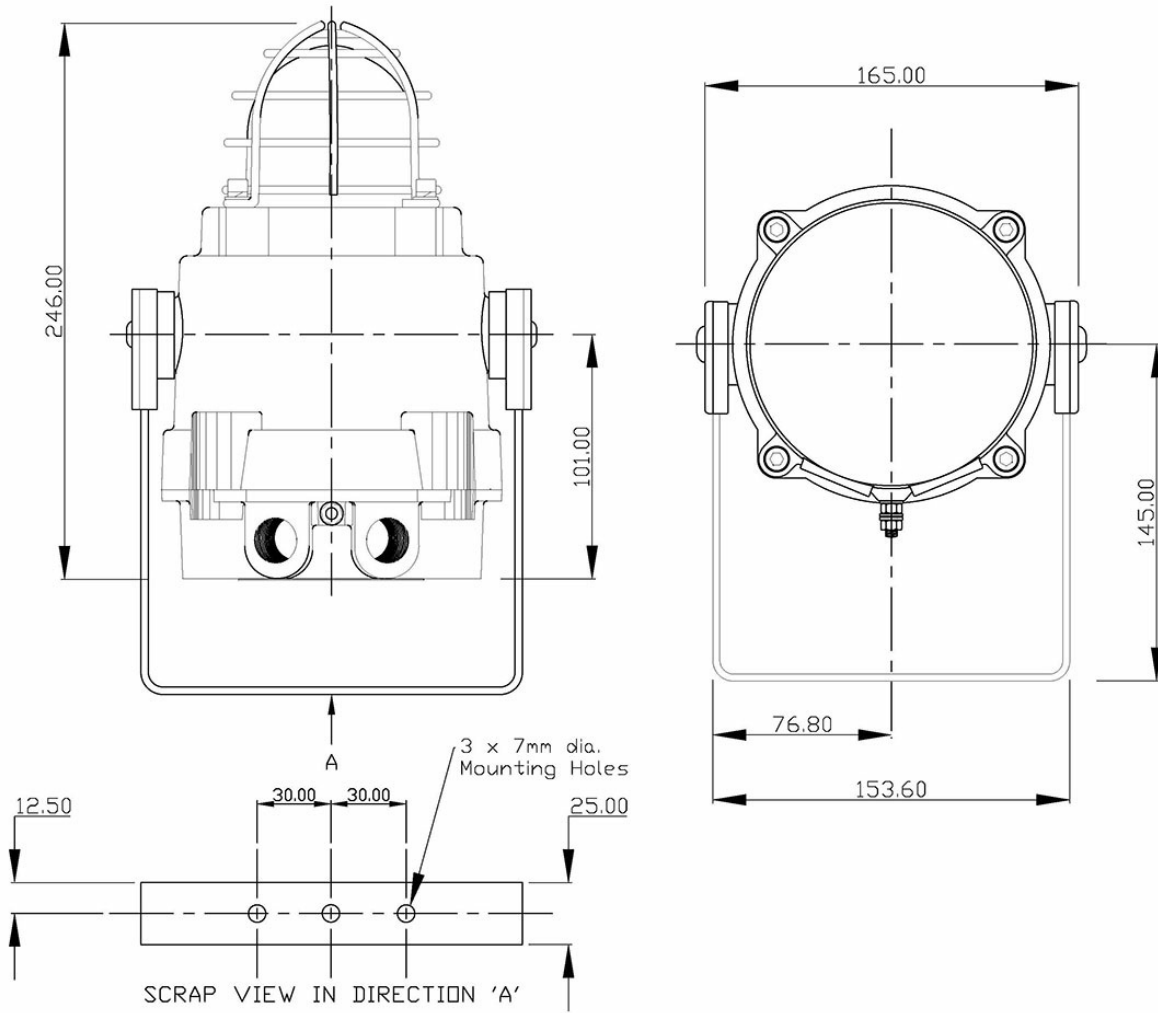
- ✓ Marine grade, corrosion proof, LM6 aluminium enclosure
- ✓ IP66/IP67 ingress protection
- ✓ Xenon tubes mechanically secured against shock & vibration
- ✓ 120 candela effective light intensity
- ✓ Automatic synchronisation on multi-beacon system
- ✓ Lens Colour: Orange
- ✓ Available lens colours: Amber, Blue, Green, Clear and Red

The flameproof BEX-240 Xenon beacons are suitable for Zone 1, 2, 21 & 22 applications. Approved to IECEx,

ATEX, Ex EAC and INMETRO standards. The beacons robust construction enables installation in the harshest of environments.

Available options: Voltage: 24V dc, 115V ac, 230V ac

Technical Dimensions



Specifications

GENERAL

Weight	2.45 kg
Energy	5 Joules (5Ws)
Flash rate	1 Hz (60 fpm)
Peak Candela	500,000 cd - calculated from energy (J)
Eff. Intensity cd	250 cd - calculated from energy (J)
Cable entries	2x M20 ISO (One cable gland and one blind plug incl.)
Temperature range	-50° to +70°C
Relative humidity	90% at 20°C
Housing material	Marine grade LM6 aluminium
Environmental Condition	Exposed

ORDER NUMBER	DESCRIPTION
2340200007	Beacon Ex BExBG05D 24V DC ATEX IP67 1x cable gland. Lens Green
2340200008	Beacon Ex BExBG05D 24V DC ATEX IP67 1x cable gland. Lens Clear
3006102010	Beacon Ex BExBG05D 24V DC ATEX IP67 1x cable gland. Lens Blue
3006102011	Beacon Ex BExBG05D 24V DC ATEX IP67 1x cable gland. Lens Orange
3006102012	Beacon Ex BExBG05D 24V DC ATEX IP67 1x cable gland. Lens Red