

3006102086

BEX-230R

Explosion Proof Xenon Beacon 5 Joule, 230V



IP66



IP67



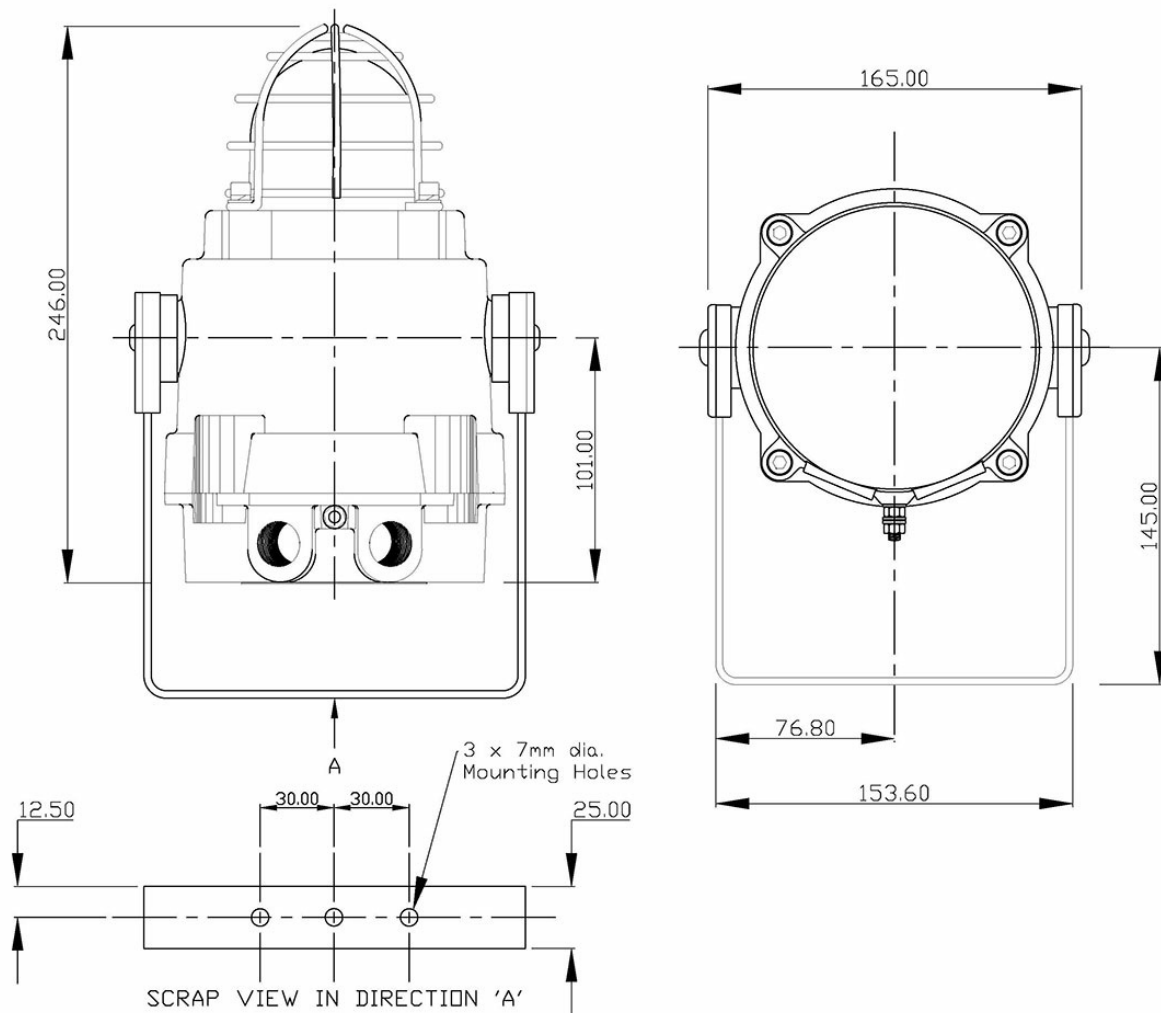
Atex

Description

- ✓ Marine grade, corrosion proof, LM6 aluminium enclosure
- ✓ Automatic synchronisation on multi-beacon system
- ✓ Xenon tubes mechanically secured against shock & vibration
- ✓ IP66/IP67 ingress protection
- ✓ 120 candela effective light intensity
- ✓ Lens colour: Red
- ✓ Available lens colours: Amber, Blue, Clear, Green, Yellow and Red

The flameproof BEX-230 Xenon beacons are suitable for Zone 1, 2, 21 & 22 applications. Approved to IECEx,

Technical Dimensions



Specifications

GENERAL

Weight	2.75 kg
Energy	5 Joules (5Ws)
Flash rate	1 Hz (60 fpm)
Peak Candela	500,000 cd - calculated from energy (J)
Eff. Intensity cd	250 cd - calculated from energy (J)
Cable entries	2x M20 ISO (One cable gland and one blind plug incl.)
Temperature range	-50° to +70°C
Relative humidity	90% at 20°C
Housing material	Marine grade LM6 aluminium
Environmental Condition	Exposed

ORDER NUMBER	DESCRIPTION
3006102016	Beacon Ex BExBG05D 230V AC ATEX IP67 1x cable gland. Lens blue.
3006102015	Beacon Ex BExBG05D 230V AC ATEX IP67 1x cable gland. Lens orange.
3006090474	Beacon Ex BExBG05D 230V AC ATEX IP67 1x cable gland. Lens yellow.
3006102085	Beacon Ex BExBG05D 230V AC ATEX IP67 1x cable gland. Lens green.
3006102086	Beacon Ex BExBG05D 230V AC ATEX IP67 1x cable gland. Lens red.
2340210013	Beacon Ex BExBG05D 230V AC ATEX IP67 1x cable gland. Lens clear.