

2211010200

## IP DECT Server 400 1G8 Version

### Server Base Station



- ✓ 1G8 version
- ✓ Includes 12 Users and Multi-Cell ready to support +9 IP-DECT Base Stations
- ✓ Up to 12 handsets
- ✓ Integrated part in ACM solution
- ✓ DECT repeaters can be added to extend radio coverage
- ✓ Encrypted radio communication
- ✓ Allows for synchronization via air or LAN
- ✓ 1 Year Software License for 30 users - Included
- ✓ Powered from the PoE enabled LAN network or from external power supply (not included)

---

## Description

Note: 2211010200 includes item 2211020145 (IP DECT Server KWS400) and 2211020135 (Software Assurance License for 1 year)

The IP DECT Server 400 provides radio coverage within a limited area supporting a single base station. The base station has maximum radio coverage of 50m indoor and 150m outdoor. To extend the radio coverage of the base station up to 9 DECT repeaters can be added. A DECT repeater does not require any network connection except power.

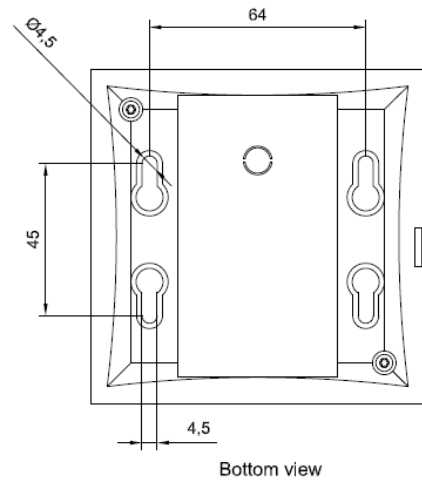
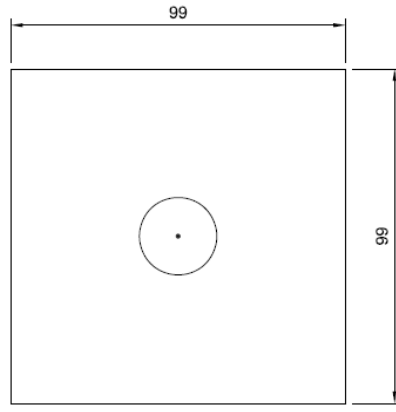
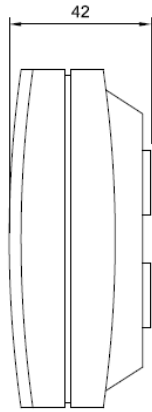
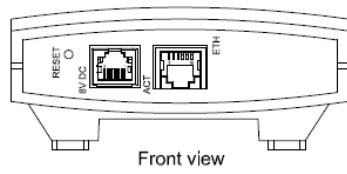
The IP DECT Server 400 is an integrated part of the following ACM systems: ACM Analog System, ACM Standard Integrated System, ACM Advanced Integrated System. The DECT cordless phones, VMP intercom and analogue telephones have all access to the ACM services.

The IP DECT Server 400 is easy to install and is certified for use under Marine EMC requirements. The DECT base stations connect directly to the ACM system racks over the IP data network. The DECT base stations have very good robustness against radio interference even in hostile radio environment. The system uses Dynamic Channel Selection and Allocation (DCS) and is thereby able to reduce the levels of interference, and ensure that links are set up using best radio channels.

Note: Rooms under deck with steel walls, floor and ceiling are areas that are difficult to cover with radio.

Note: Each DECT phone requires a SIP user license in the ACM system.

## Technical Dimensions



# Specifications

## GENERAL

Size	100 x 100 x 38 mm
Weight	0.12 kg
Codecs	G.711 A-law and $\mu$ -law; G.726 (32 Kbps - 4 bit ADPCM)
Electrical Requirements	PoE or Optional external power supply (power supply must be ordered separately)
Typical range	Indoor: 20 - 50 m, Outdoor: 300 m.
Frequency Range	EMEA 1880-1900 MHz

## Accessories



Expansion License -48 Users/  
Max Channels

Item Number: 2211020118