

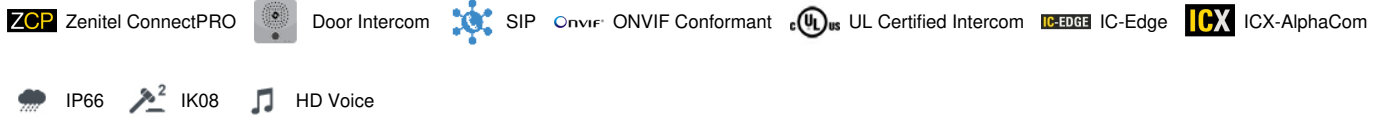
1008111050

## TCIS-5 | Audio Intercom

IP and SIP Intercom



- ✓ Durable black thermoplastic front plate with two labelled call buttons, and LED indicator for door status.
- ✓ Advanced Audio Technology - High sound pressure levels, automatic volume gain control, and active noise and echo cancellation for superior clarity.
- ✓ Weather-Resistant (IP66) & Robust (IK08)
- ✓ ONVIF Conformant - Seamless video and device integration
- ✓ Flexible Installation - Options for wall or flush mounting
- ✓ Seamless Integration - Fully compatible with Zenitel Connect Pro, ICX-AlphaCom, IC-EDGE, and SIP-based systems.

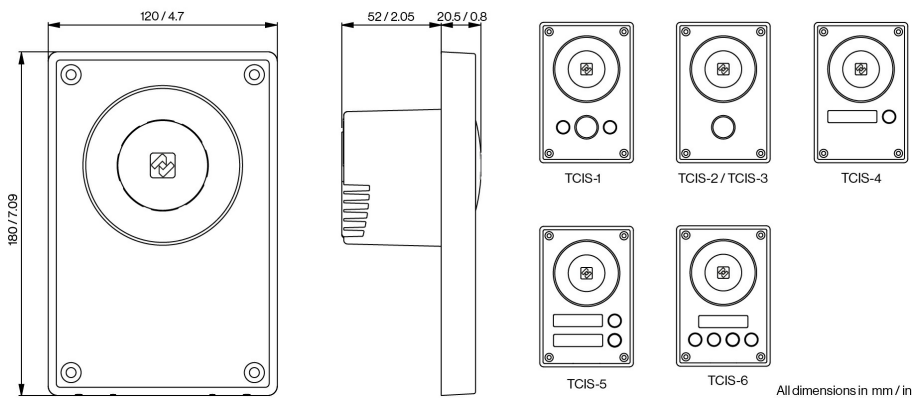


## Description

This audio intercom is engineered with advanced audio technologies to ensure optimal intelligibility in challenging environments. It features wideband HD voice for enhanced clarity, Open Duplex for natural two-way communication, and integrated noise suppression and acoustic echo cancellation algorithms for clean audio in noisy settings. The unit incorporates a high-sensitivity MEMS microphone, a 10W Class D amplifier for high-output performance, and a custom-engineered speaker grille optimized for acoustic dispersion and protection. Backed by over 70 years of expertise in audio and communication systems, this product delivers consistently superior sound quality across diverse applications.

See also: [additional documentation on wiki.zenitel.com](https://wiki.zenitel.com)

## Technical Dimensions



# Specifications

## AUDIO

Max SPL @ 0.5m	106 dB
Codecs	G.711, G.722, G.729
Frequency range, G.722 Codec	200 Hz – 7000 Hz
Audio technology	Full open duplex, switched open duplex
	Sound level detection (scream alarm)
	Automatic gain control
	Automatic volume control (AVC)
	Acoustic Echo Cancellation (AEC)
	Noise cancellation
Internal speaker amplifier	10 W class D
Internal speaker	10 W
Microphone technology	Digital MEMS, omnidirectional microphone

## NETWORKING AND PROTOCOLS

Application Protocols	SIP, SIPS, HTTP, HTTPS, TFTP, RTP, SRTP, RTCP, RTSP, DHCP, SNMP, Vingtor-Stentofon CCoIP®, NTP, ONVIF, WS-Discovery
IP Versions	IPv4 & IPv6
LAN protocols	Power over Ethernet (IEEE 802.3 a-f), Network Access Control (IEEE 802.1x)
Supervision functions	Keep alive test, tone test, status reports
SIP support	RFC 3261 (SIP base standard) RFC 3515 (SIP refer) RFC 2976 (SIP info), SIP using TLS, RFC 5630 SIPS URI scheme
DTMF support	RFC 2833, RFC 2976 (SIP info)
Integration and API	Connected to ICX-AlphaCom through AlphaCom protocol ACDP
	Connected to Zenitel Connect Pro through Zenitel Link
	ONVIF

## HARDWARE

Ethernet connector	1 x RJ 45
General inputs and outputs	6 (configurable)
Outputs	12mA as LED drivers
Change-over relay (NO+NC+COM)	SELV
Power options	PoE or 24 VDC (16 – 48 V)
PoE (power over Ethernet)	IEEE 802.3af standard
Power consumption	Idle 1.8W, max 12W (depending on volume)
Display technology	PMOLED
Display contrast	20000:1
Viewing angle	160°
Display brightness	120 cd/m2
Button backlight	LED
Call indication	Icons/colors for hearing impaired
Door open indication	Icons/colors for hearing impaired

## CONSTRUCTION

Dimensions (HxWxD)	180 x 120 x 73 mm / 7.1" x 4.7" x 2.9"
Dimensions after flush mount	180 x 120 x 24 mm / 7.1" x 4.7" x 0.9"
Dimensions with on wall box	180 x 120 x 86 mm / 7.1" x 4.7" x 3.4"
Weight	0.8 kg / 1.8 lbs
Faceplate material	3 mm / 0.12" PMMA, colour printed on back side
Base / frame material	3 mm / 0.12" Aluminum alloy - A413.0, AISi12Fe, painted
Electronics cover material	Polycarbonate (translucent)
Gasket material	Silicone rubber
Loudspeaker poke protection, small diameter objects	Stainless steel mesh, acoustically transparent

## ENVIRONMENTAL COMPLIANCES

IP rating	IP66
IK rating	IK08
Operating temperature range	-40° to 70° C / -40° to 158 ° F
Storage temperature range	-40° to 70° C / -40° to 158 ° F
Relative humidity	< 95% not condensing
Corrosion	Salty mist, tested according to EN60945
Vibration	Tested according to EN60945

## APPROVALS

EMC	EN 61000-6-1, EN 61000-6-3, EN 50121-4, FCC part 15
Safety	UL 62368-1, IEC 62368-1, IEC60950 CB
Sustainability	RoHS, REACH

## OTHER SPECIFICATIONS

Country of manufacture	Poland
Warranty	2 Years standard warranty, extendible up to total of 5 years (additional fee)

## Accessories



### TA-1

Turbine Compact Onwall Back Box

Item Number: 1008140010



### TA-2

US 2-Gang 3 1/2" Deep Backbox

Item Number: 1008140020



### TA-5

Bracket for US 2 GANG Double Depth Back Box

Item Number: 1008140050



### TA-18

Turbine Compact Flush-Mount Back Box

Item Number: 1008140180



### TA-14

Microphone windshield for TCIS / TCIV

Item Number: 1008140140



### Touchless Sensor

Item Number: 2390020100