

1007082000

# Industrial Master Station

Noise Cancelling



## Description

- ✓ Fully equipped master station with free access to all extensions and features
- ✓ Rugged waterproof and chip-resistant casing in orange makrolon
- ✓ Noise cancelling microphone with protective flange
- ✓ Red microphone live lamp
- ✓ Built-in 10W (8 Ohm) VOX operated power amplifier
- ✓ For use with external loudspeaker with or without power amplifier
- ✓ Screw terminals for easy connection of installation cables

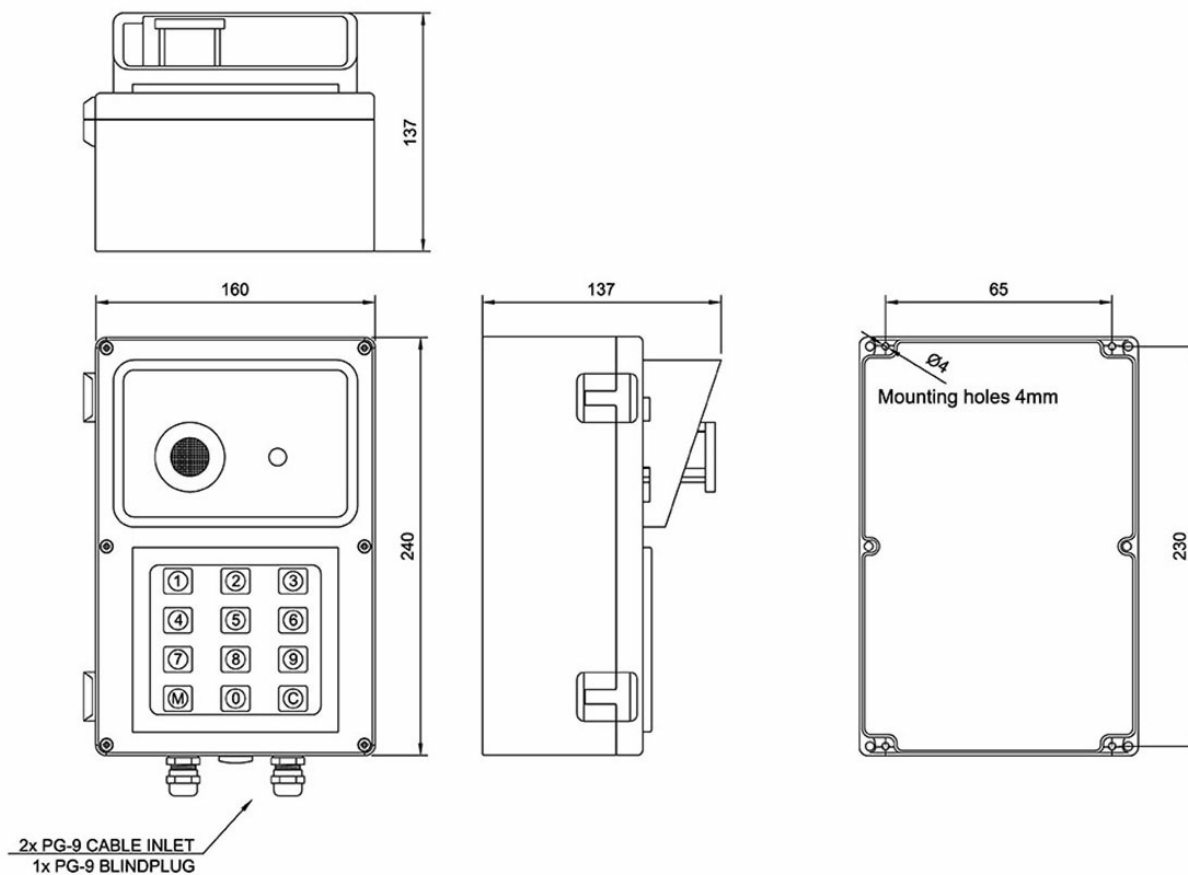
This industrial master station is a waterproof model designed for humid, dirty and outdoor conditions. The station consists of a rugged splashproof and chip-resistant casing of orange makrolon and has a folio keyboard on the front. The front panel is hinged to the back casing to allow easy access during installation and service. The station has screw terminals with labels for easy installation. Two glands ensure waterproof and dustproof connection of

installation cable and loudspeaker wires.

The unit is equipped with a noise cancelling microphone preventing background noise from disturbing the conversation. A 20-70 Ohm external loudspeaker connects to the station or, alternatively, connect an 8-20 Ohm speaker for use with the built-in 10W (8 Ohm) VOX operated power amplifier. The external speaker must be placed at least one meter away from the station. The power amplifier requires separate 12V AC / 2 Amp power supply. The loudspeaker volume is adjustable with potentiometers located inside the casing and the station is programmable for permanent private mode by strap-plug setting inside the station.

The station is prepared for connection of a separate external handset.

## Technical Dimensions



# Specifications

## MECHANICAL

Operating Voltage	From exchange without power amp. 12 VAC / 2 Amp with power amp.
Cable Requirements	2 pair 0.5 mm <sup>2</sup> / 24 AWG twisted telephone cable. + 1 pair 0.8 mm <sup>2</sup> / 20 AWG (to transformer if power amplifier is used)
Temperature	-50oC to +55oC
Relative humidity	0% - 95%
Dimensions: (W x H x D)	160 x 240 x 137 mm, 6.24" x 9.36" x 5.34"
Finish	Orange makrolon
Orange makrolon	1.5 W (20 Ohm), 10W (8 Ohm) with power amplifier
Max. Loudspeaker Output	20-70 Ohm without power amplifier, 8-20 Ohm with power amplifier

ORDER NUMBER	DESCRIPTION	SHIP WEIGHT
1007082000	Noise Cancelling Industrial Master Station (external speaker is required)	1.1 kg / 2 lb. 7 oz
Accessories:		
VML-1520	Horn Loudspeaker, 15 W/20 Ohm, IP-66	1.4 kg/3 lb
VMP-211	Wall Mount Handset Unit (with PTT key), IP-44	0.9 kg/2 lb
VMP-250	Wall Mount Handset Unit /with PTT key), IP-65	0.9 kg/2 lb
EOTRF 10115	220 VAC/12 VAC Mains Transformer (for power amplifier option)	1.4 kg/3 lb

## GENERAL

Frequency Range	500-5000 Hz ( $\pm$ 8 dB)
Mic. Impedance for external handset	200 - 600 Ohm
Connector Type	Screw terminals
Gland Diameter	2 x PG9
Indicator	LED (red)

## Accessories



### VMP-36-PEL

Headset with Boom  
Microphone and 10 Meter  
Cable

Item Number: 1020600750



### VMP-36-PELP

Headset with Boom  
Microphone, 10 Meter  
Cable and Plug

Item Number: 3006202029



### CD-7-VMP

Plugbox Waterproof for  
VMP-36-PELP

Item Number: 3006202007



### VMP-211

Wall Mounted Handset

Item Number: 3006202024



### VMP-250

Wall Mounted Handset  
Waterproof

Item Number: 1020600700



### VML-1520

Horn Loudspeaker 15W, 20  
OHM Waterproof

Item Number: 3006100088



### EHS-240 – Rotary Signal Light, 24 V DC (Orange)

Rotary Light 24V DC

Item Number: 3006102041



### EHS-2200 – Rotary Signal Light, 220 V AC (Orange)

Rotary Light 220VAC

Item Number: 3006102036



### Model-A

Telephone Booth

Item Number: 3005000029



### IRR-3

Relay Box

Item Number: 1020600992