

1008140120

TA-12

Turbine Mini On-Wall Backbox Black



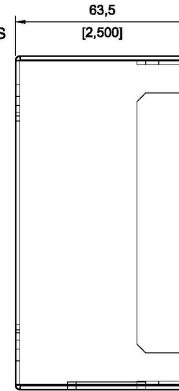
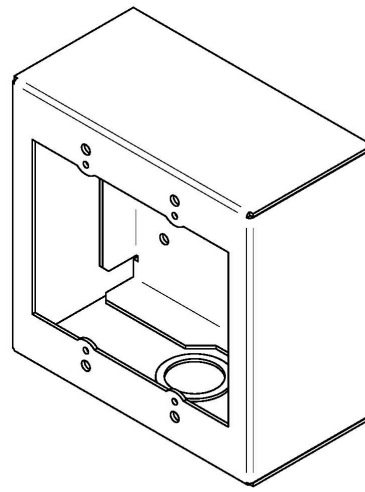
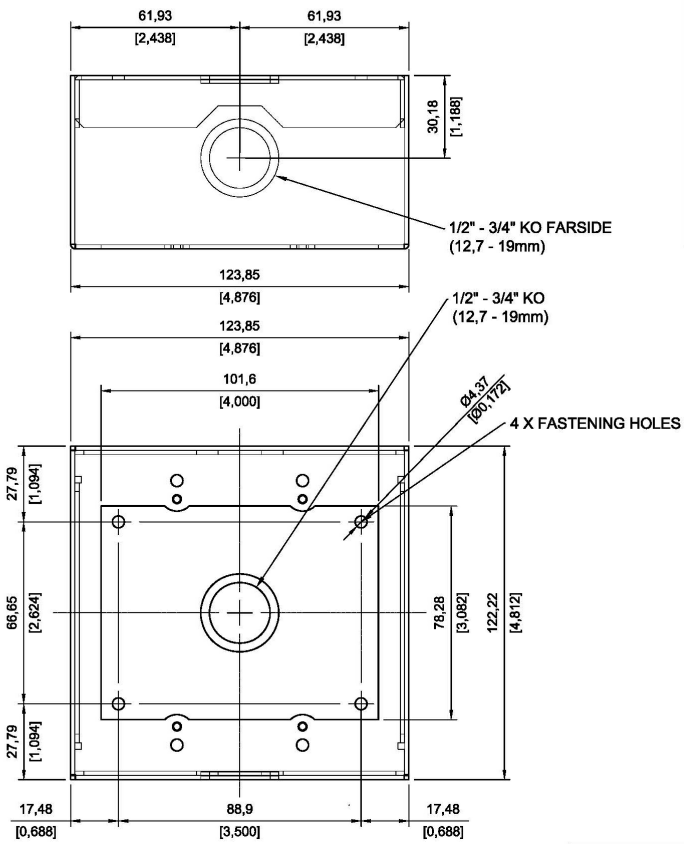
- ✓ 16-gauge galvanized steel construction
- ✓ Black textured paint
- ✓ Convenient surface mounting
- ✓ Compatible with most standard 2-gang components, plates and covers
- ✓ Two 1/2-3/4" Concentric knockouts for conduit

Description

The TA-12 on-wall backbox are designed for surface mounting of standard wall plates. The backbox can be used to conveniently mount the Turbine Mini stations TMIS-1 and TMIS-2. Rugged construction make these boxes ideal for indoor commercial and industrial applications.

Mounting holes allow for fixed mounting on virtually any wall surface. The backbox model is available in textured black or white paint. Standard concentric knockouts facilitate convenient wiring and installation.

Technical Dimensions



Specifications

MECHANICAL

Dimensions (WxHxD): 124 x 122 x 65 mm

Weight: 0.4 kg

Used With



TMIS-1 | Mini Audio Intercom

Mini IP and SIP Intercom



TMIS-2

Turbine Mini Intercom