

1007043000

## Console Master Station

Display, gooseneck microphone and 8 TAD



### Description

- ✓ Ideal for public address applications
- ✓ Fully equipped master station with free access to all extensions and features
- ✓ Eight freely programmable single touch keys
- ✓ 2 x 16 character alphanumeric display
- ✓ Rugged front plate of anodised brushed aluminium
- ✓ Private / Open switch
- ✓ Dynamic goose-neck microphone
- ✓ Adjustable loudspeaker volume

This master station is designed for flush mounting in a console and a back box is available for this purpose. The station is a fully equipped master station with access to all extensions and features. The station includes

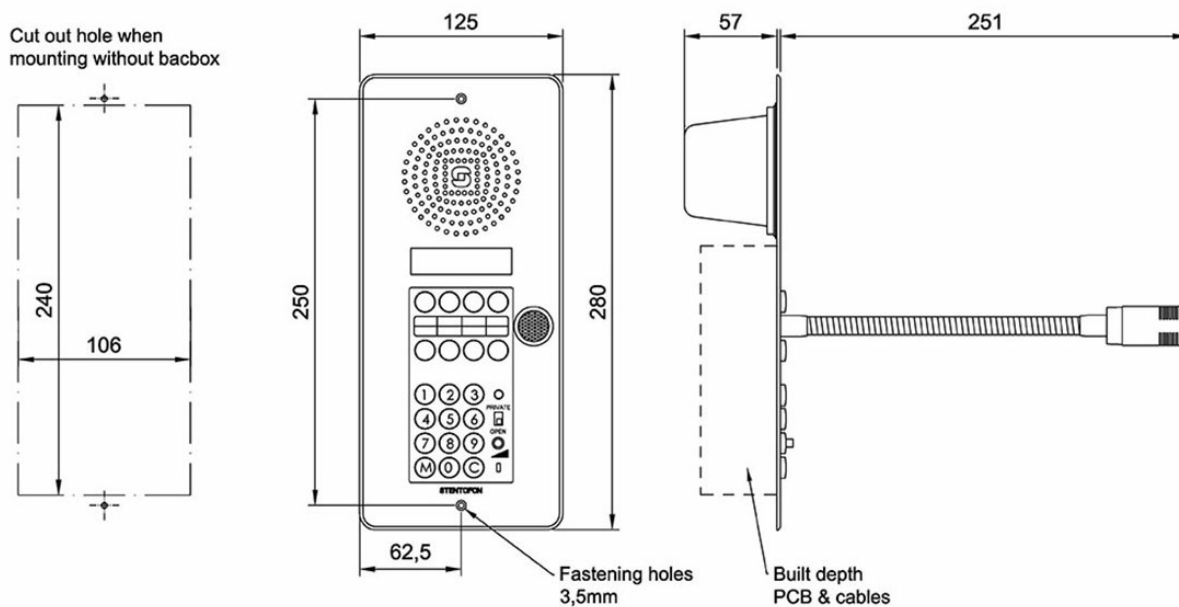
programmable single touch keys, a goose-neck microphone and a 2 x 16 character alphanumeric display providing caller identification, on-line help and a directory service amongst other features. The noise cancelling gooseneck microphone makes the station ideal for conference and announcements applications.

A Modular Jack plug on the station end gives quick and easy connection to the station's circuit board. 2-pair 0,5 mmø twisted telephone cable is required between the exchange and the station. The maximum distance is 1,4 km (4600 feet) with 0,5 mmø cable. Greater distances is possible by using heavier wires.

The station is equipped with a noise cancelling dynamic microphone on a gooseneck microphone and a 1 W loudspeaker. The loudspeaker volume is easily adjustable with a screwdriver using the potentiometer located on the outside of the front plate.

See also: [additional documentation on wiki.zenitel.com](http://wiki.zenitel.com)

## Technical Dimensions



Related item:  
Flush mount back box  
100602000

Surface Back Box  
100603000

# Specifications

## MECHANICAL

Operation Voltage	Powered from exchange
Cable Requirements	2 pair twisted cable, 0.5 mmø / 24 AWG
Temperature Range	0oC to +40oC, +32o F to +104o F
Humidity Range	10% - 85% RH (non condensing)
Dimensions: (W x H x D)	125 mm x 280 mm x 53 mm, 4,9" x 10,9" x 2,1"
Finish	Anodised brushed aluminium
Loudspeaker Output	1 W (63 Ohm)
Loudspeaker Impedance	63 Ohm
Frequency Range	300 - 5000 Hz
Loudspeaker Sound. Pressure Level	75 dB (0,5 mm cable x 100 m, 2,5 VRMC on ab-wire, 1 KHz)

ORDER NUMBER	DESCRIPTION	SHIP WEIGHT
1007043000	Wall Master Station, Display and Gooseneck	0.600 kg/1 lb. 5 oz
Supplementary equipment:		
1000603000	Surface Mount Back Box for AlphaCom Wall Stations	1 kg / 2 lb, 3 oz
1000602000	Back Box, Flush	

## TITTEL

Microphone Output Voltage	100/300 mV
Microphone Preamp. Output Impedance	600 Ohm
Connector Type	Modular Jack / Hirschmann
Indicator	LED (red)