

2310102090

PM1703

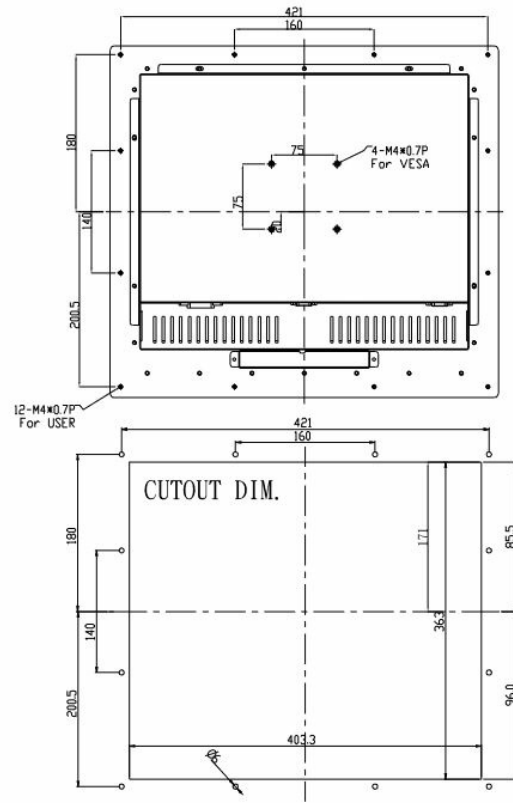
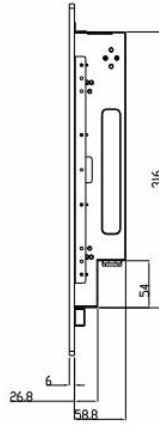
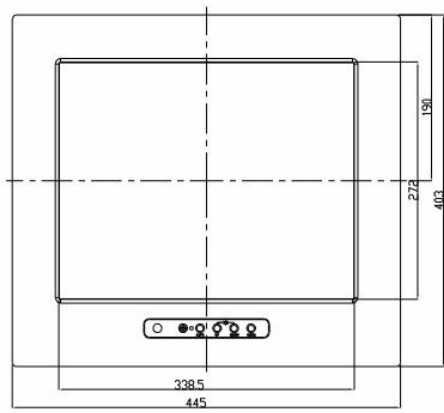
Monitor 17" 4:3 Panel mount VGA+BNC



Description

- ✓ Modularize mechanical design provides flexible product configuration and easy maintenance
- ✓ Optional build-in touch screen for interactive application
- ✓ VGA connector with optional AV,SV,AV-Looping
- ✓ Flush mount

Technical Dimensions



Specifications

GENERAL

Size (WxHxD)	445 x 403 x 64.8 mm
--------------	---------------------

Weight	6.0 kg
--------	--------

Power consumption	30 W
-------------------	------
