

2330040022

P-66-VMP/10

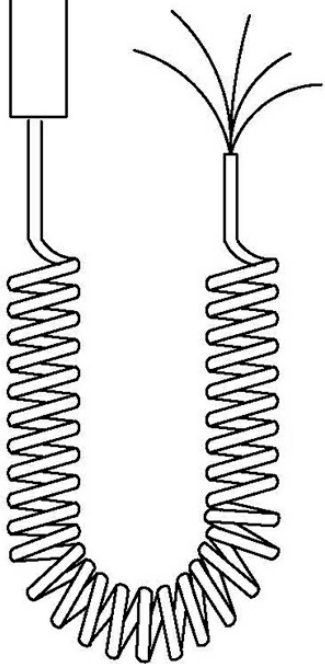
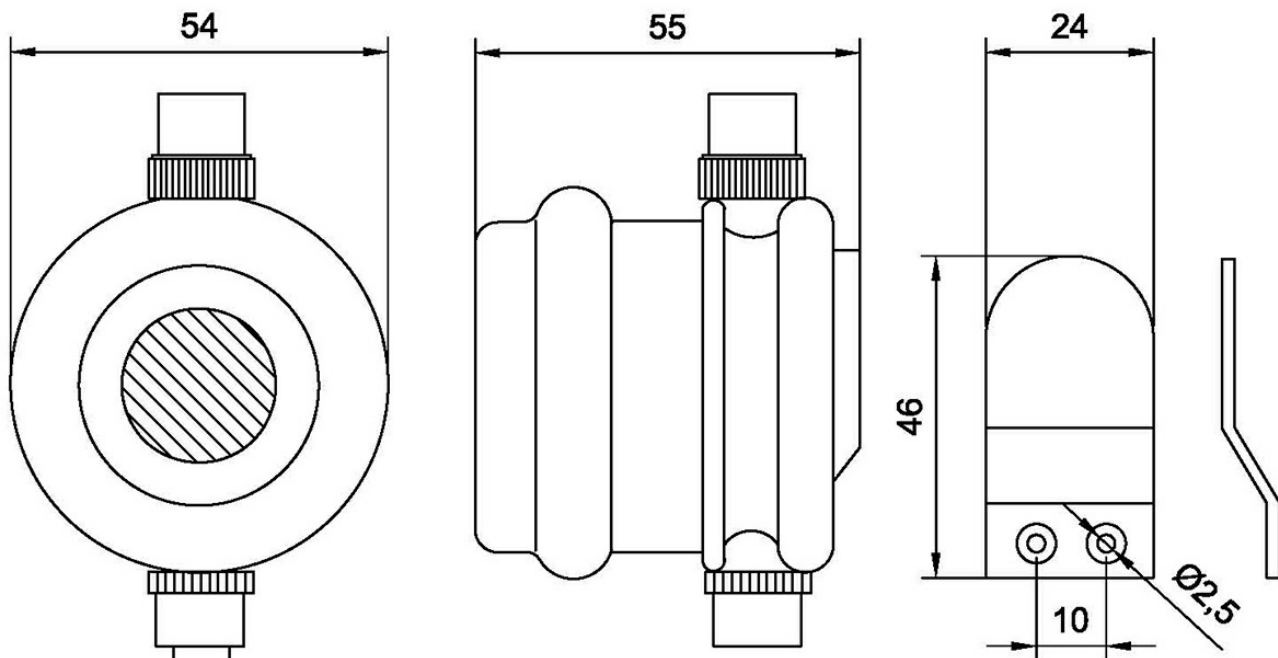
Hand mic. with PTT, 10m cable, no plug



Description

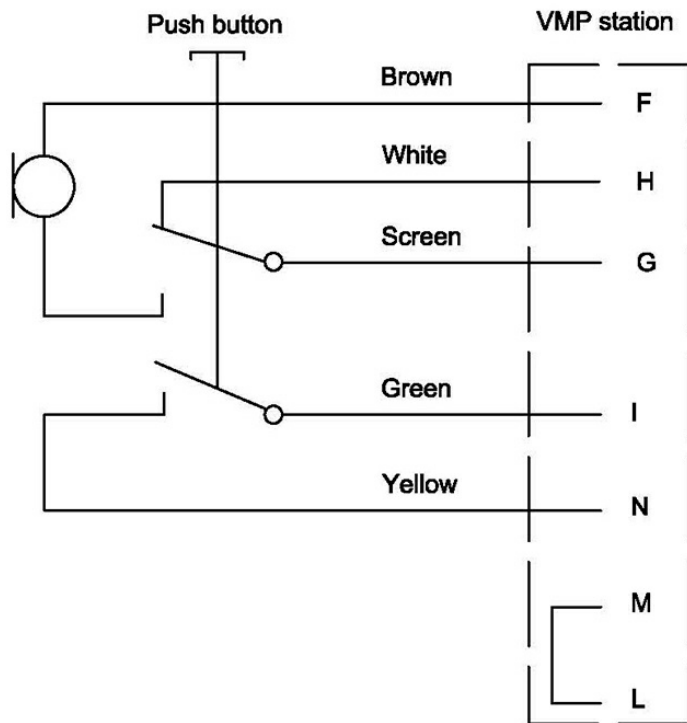
- ✓ Weatherproof, salt water resistant handheld microphone
- ✓ Suitable for heavy-duty outdoor operation subject to noise disturbance
- ✓ Delivered with 10 meter cable
- ✓ For use with VMP-5xx stations

Technical Dimensions



P-66-VMP

P-66-VMP/10 (10mtr. cable)



Specifications

GENERAL

DC resistance	200 ohm
Mic. sensitivity	0.5 mV/dyne/sq.cm at 1 kHz
Power capacity	0.2 W (0.5 W peak)
LS sensitivity	57 dB/mW at 1 kHz and 50 cm distance i.e. 80 dB at 0.2 W audio-frequency power
Working temperature	-30 to +60 °C
Protection	IP-47
Color	Black
Weight	0.5 kg

ORDER NUMBER	DESCRIPTION	SHIP WEIGHT
2330040022	P-66-VMP/10 Hand mic. with PTT, 10m cable and no plug	0.55 kg