

1007036310

Desk/Wall Master Station

Display



- ✓ Desk master station with full access to all features in the Vingtor-Stentofon AlphaCom exchange
- ✓ Can be used as wall mounted station using the optional bracket 1008091100
- ✓ Easy operation provided by a 2 x 16 character alphanumeric display and ten direct access keys
- ✓ Queuing of incoming call requests according to priority and time of arrival, 256 priority levels
- ✓ Superb audio quality
- ✓ Advanced supervision functions

 ICX-AlphaCom

Description

This combined desktop and wall mount master station has full access to all features of the Vingtor-Stentofon AlphaCom exchange of which many are developed specifically to provide critical communications such as group call, call priority and override of speaker volume.

The station includes programmable single touch keys for fast access to important functions and a 2 x 16 character alphanumeric display which provides caller identification, on-line help and a directory service. A private/open switch allows for choosing between direct incoming calls and announcement of incoming calls by a ringing tone.

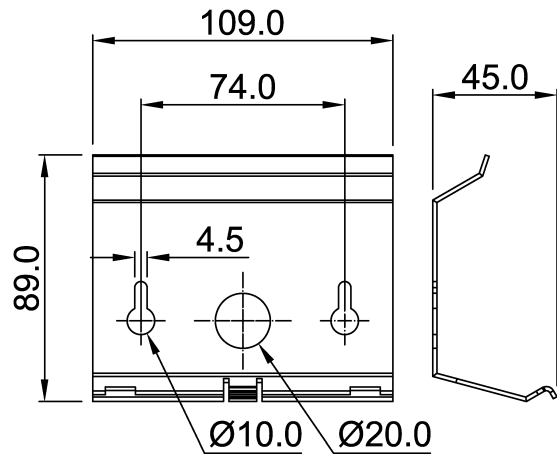
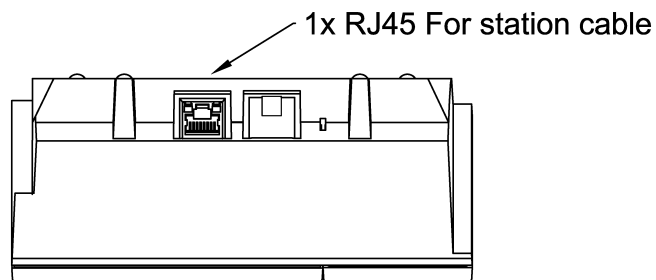
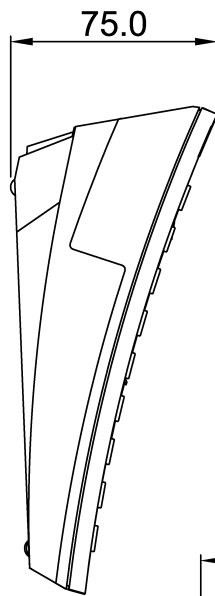
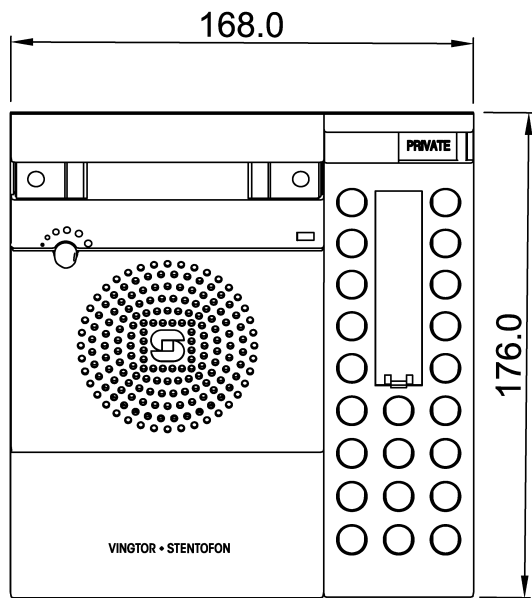
The station can also be used in a control room as it even provides call request queuing with incoming calls sorted on priority and time of arrival. The station provides high quality hands-free conversations, using the Vingtor-Stentofon superb wideband audio and loud volume. The station can be placed up to 4 km from the AlphaCom exchange without need for any local power source. The station uses the traditional 4-wire interface receiving both power and audio in the same cable.

To provide maximum availability the station comes with advanced supervision functions. The station line test will detect whether there are any faults in the network or station electronics. In addition the station supports tone test, testing the complete transmission path including microphone and speaker. The status of the stations is reported to AlphaWeb as well as to 3rd party management systems using SNMP, Syslog or OPC.

Station cables of different lengths, wall sockets and a bracket for wall mounting are available as accessories.

See also: [additional documentation on wiki.zenitel.com](https://wiki.zenitel.com)

Technical Dimensions



Wall bracket O.no. 1008091100

Specifications

ORDER NUMBER	DESCRIPTION	SHIP WEIGHT
1007036310	Desk/Wall Master Station, Display, color grey	0.410 kg/0.90 lbs.
KB171	Wall Socket, RJ45, Surface Mounted	
1009800130	3 meters Station Cable with RJ45 Connector	
1009800115	0.5 meters Station Cable with RJ45 Connector	
1008091100	Wall bracket for Desk/Wall Station	

GENERAL

Dimensions (WxHxD):	168x75x175mm / 6.61 x 2.95 x 6.88 inch.
Weight	0.410 kg / 0.90 lbs.
Display	Alphanumeric, 2x16 characters
Keypad	Full keypad including 10 DAK keys
Mounting	Desktop On wall with bracket
Temperature	0 to +50°C
Loudspeaker output	Max. 1W RMS
Frequency range	200 - 10'000 Hz
Connectors	RJ45
Wiring	2 twisted pairs
Max cable distance	4.0 km (18 AWG - 0.9 mm) 3.4 km (20 AWG - 0.8 mm) 2.0 km (22 AWG - 0.6 mm) 1.4 km (24 AWG - 0.5 mm)
Power	Powered from exchange
Call indication	Red call LED
Supervision	Line supervision Tone test (manual and automatic) Station status in AlphaWeb
Compliance	CE and FCC Part 15

Accessories



KB171

Wall Socket

Item Number: 3007600034



Wall Bracket for Desktop

Item Number: 1008091100