

2809016020

Emergency Communication Wall Unit

1602 Deluxe Stanchion Wall Unit

Note: This product is only available in North America.

Emergency points

Description

- ✓ Economical & Reliable Emergency Communications
- ✓ Extremely Durable Design - Resists Environment and Vandalism
- ✓ LED Blue Light Flashes when Unit is Activated - LED Blue Light is Constantly On
- ✓ Easy to Install Versatile Modular Design
- ✓ Unit Meets All ADA Requirements
- ✓ Design Can be Customized to Meet Customer Requirements
- ✓ Available painted in colors Blue, Red and Yellow (stainless steel version shown)
- ✓ Voltage Options - 120 VAC, 12/24 VDC & 24 VAC
- ✓ Note: All IP Turbine Intercoms require IP station license.

The emergency/security wall unit is a high visibility, vandal resistant, stainless steel unit designed for use with the Zenitel Emergency/Security Stations. The Emergency/Security Wall Unit can be painted in blue, red and yellow as required.

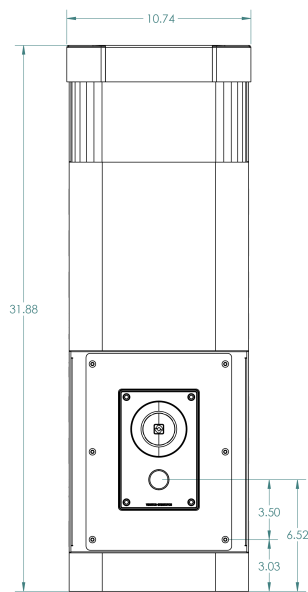
The wall unit is ideal for use in parking facilities, college campuses, medical centers and multi-building complexes. The wall unit has an integrated blue light encased in Lexan. The blue light is always lit, calling attention to the location of the emergency communication unit. When the intercom station is activated, the light flashes at 78 fpm. The light flashes until either actively terminated by the personnel receiving the call or automatically upon termination of the call itself.

The wall mount is equipped with a concealed LED panel light that continuously illuminates the face of the emergency phone. The wall mount is

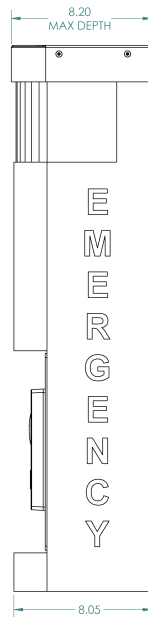
made of a vandal resistant, 12-gauge vertical brushed stainless steel, designed to withstand prolonged exposure to harsh environments.

The Turbine series of stations and the 1600TA Plate with TA-18USA backbox (07216008140) are both ordered separately. See more information on the specifications page for part numbers.

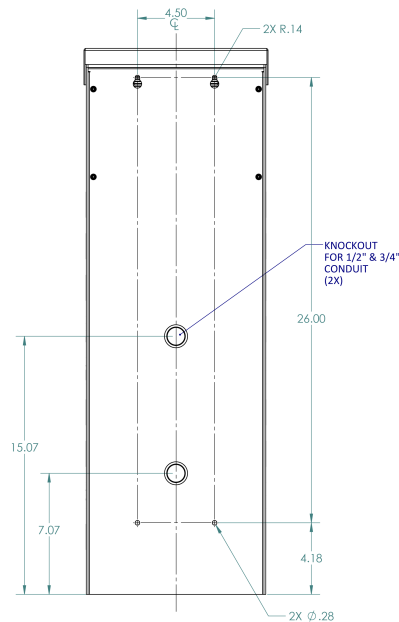
Technical Dimensions



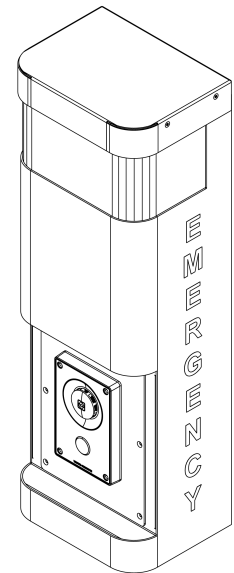
FRONT VIEW



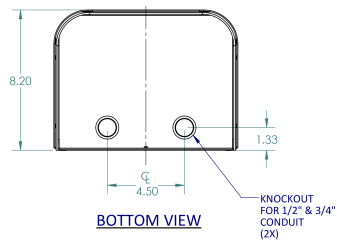
SIDE VIEW



REAR VIEW



ISOMETRIC VIEW



BOTTOM VIEW

Specifications

TURBINE SERIES IP:

107216008140	1600 Turbine Plate w TA-18 USA Box
1008111010	TCIS-1
1008111020	TCIS-2
1008111030	TCIS-3
1008111040	TCIS-4
1008111050	TCIS-5
1008111060	TCIS-6

TURBINE SERIES ANALOG:

1008114010	TCAS-1
1008114020	TCAS-2
1008114030	TCAS-3
1000968903	Relay Board (required for Turbine Analog Stations)

GENERAL

Dimensions:	10.5 x 8.1 x 31.9 in
Mount Weight:	41 lbs.
Construction:	12 gauge stainless steel with impact-resistant polycarbonate lens
Mounting:	To wall or strapped to poll or kiosk. Optional strapping kit required.

TURBINE SERIES VIDEO:

1008315020	TCIV-2+
1008315030	TCIV-3+
1008315050	TCIV-5+
1008315060	TCIV-6+

Used With



TCIS-2

IP and SIP Intercom



Turbine Adapter Plate