



2809016000

Emergency Communication Tower / Stanchion

1600 Deluxe Tower

Note: This product is only available in [North America](#).



Emergency points

Description

- ✓ Economical & Reliable Emergency Communications
- ✓ Extremely Durable Design - Weather, Environment and Vandal Resistant
- ✓ LED Blue Light Flashes when Unit is Activated - LED Blue Light is Constantly On
- ✓ Easy to Install Versatile Modular Design
- ✓ Unit Meets All ADA Requirements
- ✓ Design Can be Customized to Meet Customer Requirements
- ✓ Available painted in colors Blue, Red and Yellow (stainless steel version shown)
- ✓ Voltage Options - 120 VAC, 12/24 VDC & 24 VAC
- ✓ Note: All IP Turbine Intercoms require IP station license.

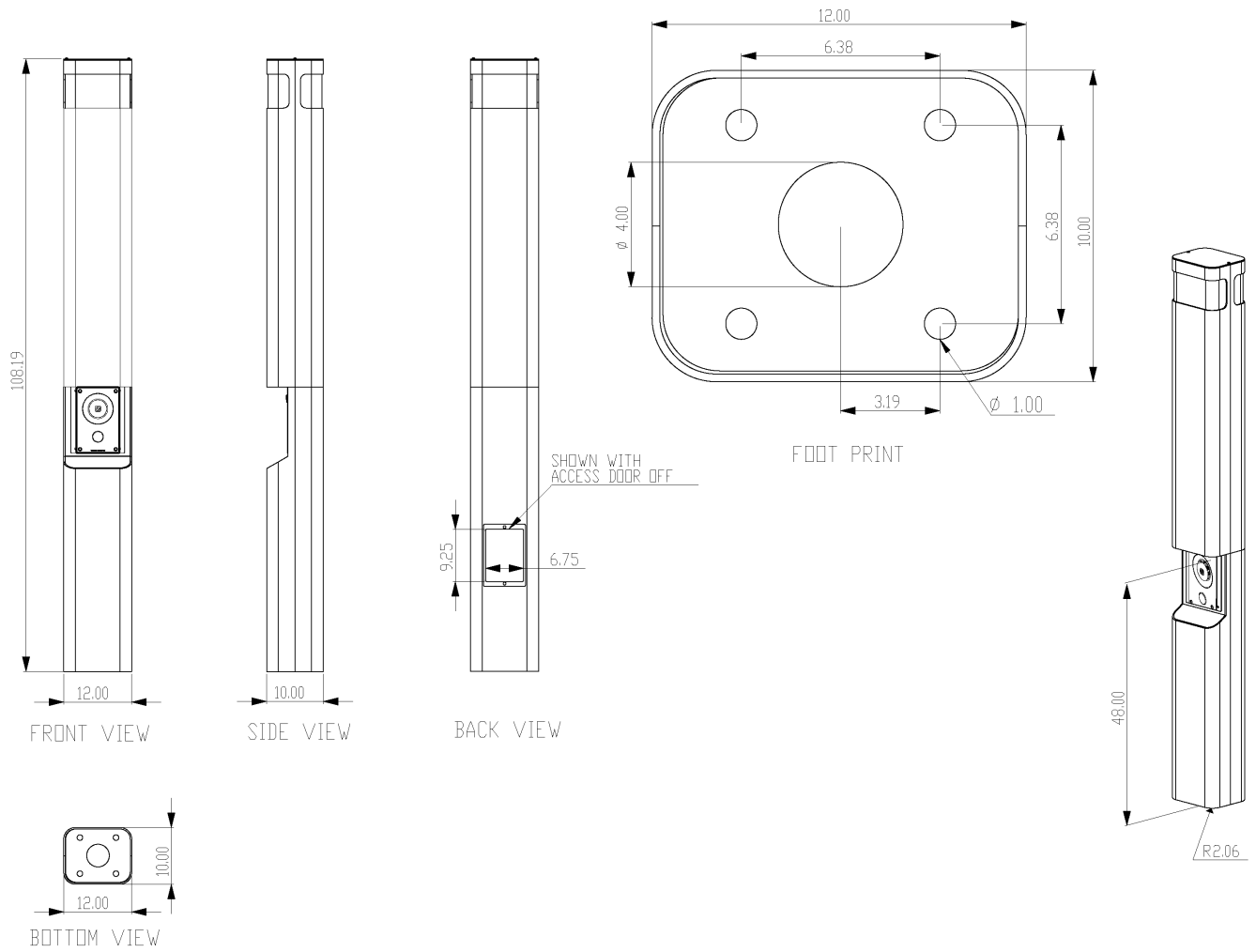
The Emergency Stanchion is a vandal resistant 9' tower designed for use with the Zenitel line of hands-free emergency stations. It is ideal for college campuses, open lot parking facilities, medical centers, city streets, shopping malls and any other open space where security is a concern.

The stanchion comes equipped with an integrated LED blue light. The LED blue light is always lit, calling attention to the location of the emergency intercom. The LED light automatically pulses when the emergency intercom is activated. The pulsing continues until terminated by the security personnel receiving the emergency call. The tower is made of a vandal resistant 1/4" thick steel column with a multi-coat, rust inhibitive coating design to withstand prolonged exposure to harsh environments. The blue light is located on top of the column and is housed in a vandal resistant polycarbonate housing.

The Stanchion lettering can include the word "EMERGENCY" or "ASSISTANCE" emblazoned on all four sides in high reflective letters. Other lettering choices are available. The station has a LED front panel that illuminates the face of the emergency intercom.

The [Turbine](#) series of stations and the 1600TA Plate with TA-18USA backbox ([107216008140](#)) are both ordered separately. See more information on the [specifications page](#) for part numbers.

Technical Dimensions



Specifications

TURBINE SERIES IP:

107216008140	1600 Turbine Plate w TA-18 USA Box
1008111010	TCIS-1
1008111020	TCIS-2
1008111030	TCIS-3
1008111040	TCIS-4
1008111050	TCIS-5
1008111060	TCIS-6

TURBINE SERIES ANALOG:

1008114010	TCAS-1
1008114020	TCAS-2
1008114030	TCAS-3
1000968903	Relay Board (required for Turbine Analog Stations)

GENERAL

Dimensions:	HxWxD - 2743mm x 305mm x 254mm - 9' x 1' x 10"
Mount Weight:	154 kg - 340 lbs.
Construction:	.25" steel with multi-coat rust inhibitive coating
Mounting:	In concrete foundation
	Hardware included (shipped in advance)

TURBINE SERIES VIDEO:

1008315020	TCIV-2+
1008315030	TCIV-3+
1008315050	TCIV-5+
1008315060	TCIV-6+