

2131000206

## VLS-15TF

Horn Loudspeaker 15W 100V with Fuse



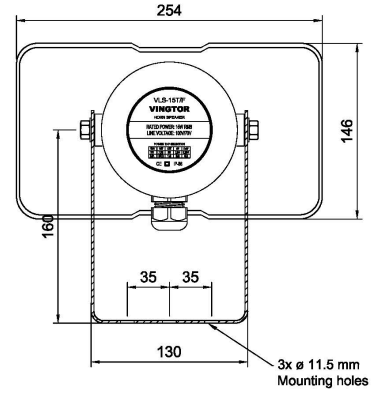
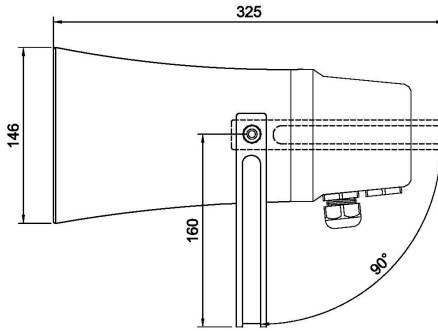
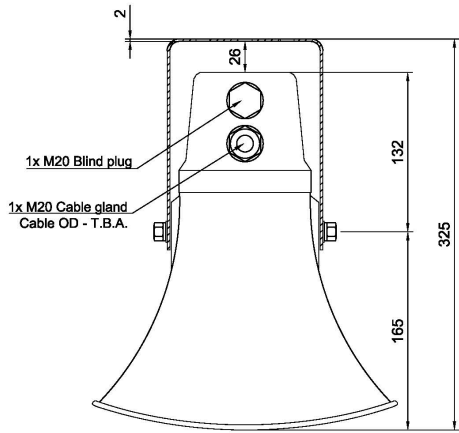
- ✓ Robust and versatile horn speaker
- ✓ Suitable for outdoor installation in harsh environments
- ✓ Prepared for loop in/ loop out connection
- ✓ 1x M20 gland and 1x blind plug included

 IP66

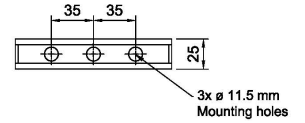
## Description

- ✓ General purpose 15W horn loudspeaker with transformer and fuse
- ✓ Especially suitable for use in industrial sites or tough environments
- ✓ To be used together with 100V line amplifier
- ✓ With 4 different power tapings: 2.5W, 5W, 10W and 15W

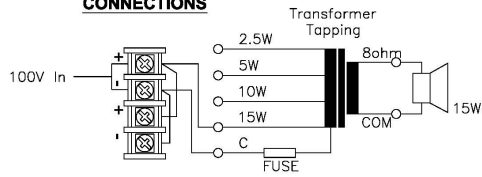
## Technical Dimensions



Rear View



**CONNECTIONS**



**TECHNICAL DATA**

Colour :	Grey (RAL 7035)
IP-Rating :	IP-66
Material :	Speaker - ABS Mounting bracket - Stainless Steel (14SWG)2mm
Line Voltage :	100V
Rated Power :	15W, 10W, 5W, 2.5W
Weight :	1.9kg

# Specifications

## GENERAL

Dimension (mm)	253W x 152H x 309D
Material, finish	ABS, grey
Mounting	Bracket, stainless steel grade 304
Connection	1x M20 gland and 1x blind plug included
Weight	1,85 kg
Rated power	15W rms
SPL at 1kHz	106dB/1W/1m - 118dB/15W/1 m
Effective frequency range	275 - 7000 Hz
Dispersion angle	60° x 90° (V x H)
IP rating	IP66
Temperature range	-40 °C - +55 °C
Power tapings	15/ 10/ 5/ 2,5 W
Impedance	670/ 1k/ 2k/ 4kΩ
Environmental Condition	Exposed

## OTHER

2131000207	Additional M20 cable gland for VLS-15(TF)/VLS-30(TF). Not included and not mounted.
------------	---

## Accessories



## VLS-GLAND

Cable gland for VLS-15/30

Item Number: 2131000207