



3006202024

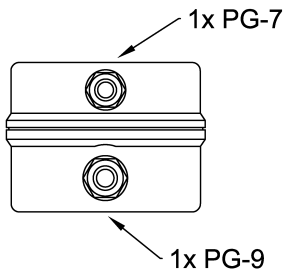
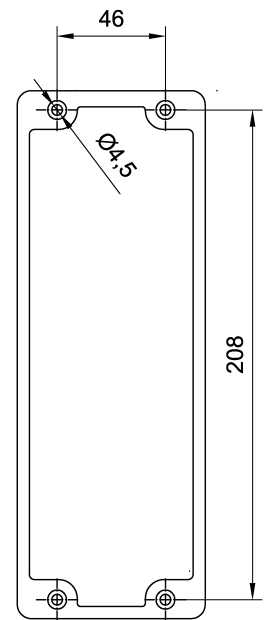
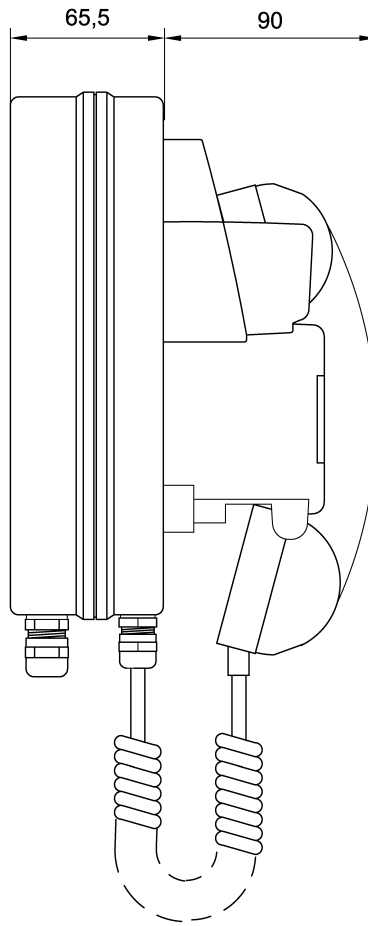
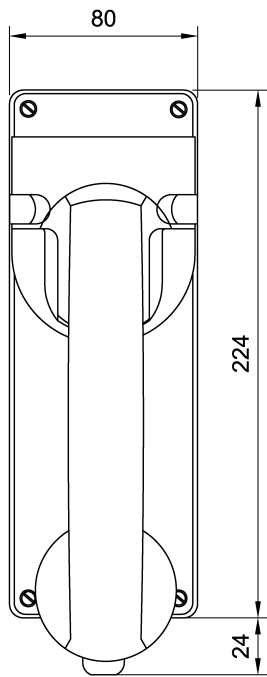
VMP-211

Wall Mounted Handset

Description

- ✓ For use together with main station VMP-503/VMP-530
- ✓ Wall mounting
- ✓ Includes push to talk button in handset
- ✓ Disconnected built-in loudspeaker in VMP-503/VMP-530 when off-hook

Technical Dimensions



Specifications

GENERAL

Connections	Screwterminals
Material cabinet	Flame retardant blend plastic housing
IP class	IP-44
Dimensions (mm)	80W x 230W x 65D (155 w/handset)
Cable inlet	1x PG-9
Weight	0.9 kg
Temperature range	-25°C to +55°C

Used With



VMP-530

Main Station Waterproof



VMP-503

Main Station With Loudspeaker



Industrial Substation

Heavy Duty



Industrial Master Station

Noice Cancelling



Industrial Substation

Heavy Duty



Industrial Master Station

Heavy Duty