

3006202007

## CD-7-VMP

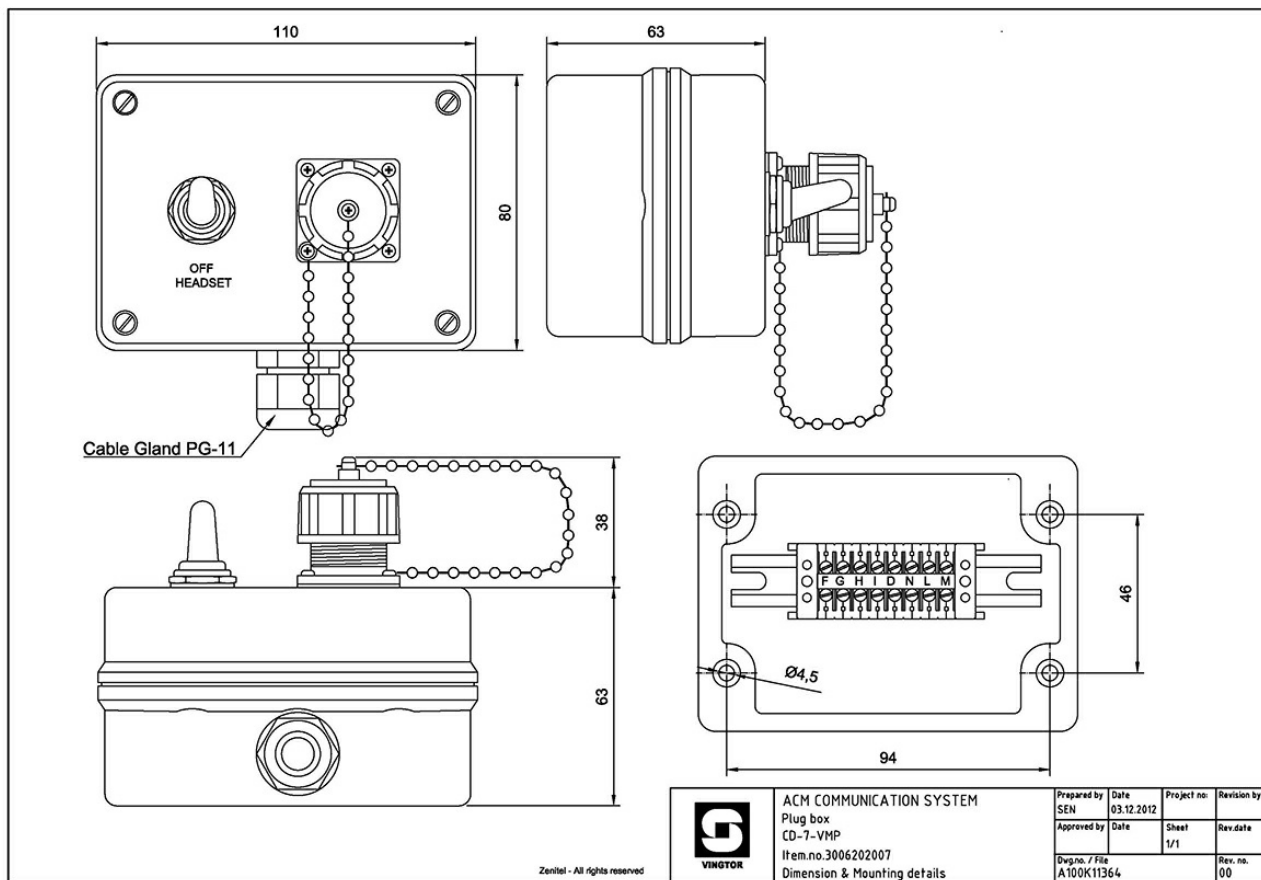
Plugbox Waterproof for VMP-36-PELP

 IP66

## Description

- ✓ Waterproof plug box
- ✓ Designed to be used together with VMP-36-PELP, portable headset
- ✓ Protected Socket
- ✓ Supports headset with ON / OFF button
- ✓ Wall mounting
- ✓ Suitable for installation in noisy or deck areas

## Technical Dimensions



# Specifications

## GENERAL

Connections	Screw terminals
Material	Bay blend plastic housing
IP class	iP-66
Dimensions (mm)	80W x 110H x 63D
Cable inlet	PG-11
Weight	0.4 kg