

2320000612

SEAS S2

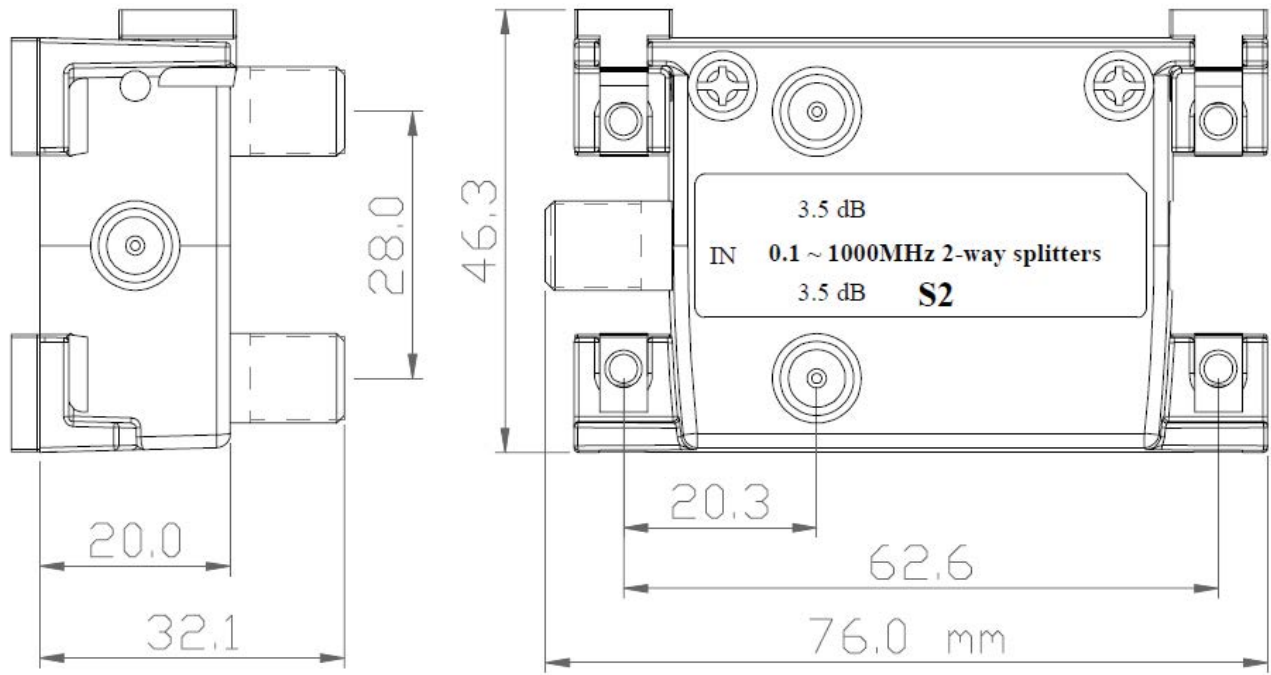
Splitter, 2 way (TV, R) with F-conn.



Description

- ✓ Digital-analogue splitters for marine use 100 kHz-1000 MHz
- ✓ Isolated 5 mm base, to avoid grounding to hull, to make it double isolated
- ✓ Linear frequency response up to 1000 MHz
- ✓ Excellent port isolation
- ✓ Nickel plated HQ housing

Technical Dimensions



Specifications

TECHNICAL SPECIFICATION

Dimension (HxWxD) (mm)	(H) 46 x (W) 76 x (D) 32 mm
Bottom spacer	ABS Blue
Housing	Zinc Die-casting - finishing: CuSn Plated
Weight	0.145g
Insertion Loss IN-OUT 100 KHz	6 dB max.
Insertion Loss IN-OUT 0.1~5 MHz	3.5 dB typ. 6 dB max.
Insertion Loss IN-OUT 5~20 MHz	3.3 dB typ. 3.6 dB max.
Insertion Loss IN-OUT 20~300 MHz	3.3 dB typ. 3.6 dB max.
Insertion Loss IN-OUT 470~860 MHz	3.6 dB typ. 4.2 dB max.
Insertion Loss IN-OUT 860~1.000 MHz	3.3 dB typ. 3.6 dB max.
Isolation OUT-OUT 5~40 MHz	14.0 dB min.
Isolation OUT-OUT 40~300 MHz	25.0 dB min.
Isolation OUT-OUT 470~860 MHz	22.0 dB min.
Isolation OUT-OUT 860~1.000 MHz	14.0 dB min.
Return loss IN** 5~40 MHz	16.0 dB min.
Return loss IN 40~860 MHz	20.0 dB *
Return loss IN 860~1.000 MHz	10.0 dB min.

Return loss OUT 5~20 MHz 14.0 dB min.

Return loss OUT 20~40 MHz 20.0 dB min.

Return loss OUT 40~1.000 MHz 20.0 dB *

Connectors "F" Female

Impedance 75 Ohms

Screening factor Class A

Operation temp. -40 to +60°C

Approvals CE50083-2:2006 (Class A)

*) At 40 MHz - 1.5 dB/
OCT

**) The tolerance of
Return Loss
Measurement: +/- 1.0
dB
