

2320000613

SEAS S4

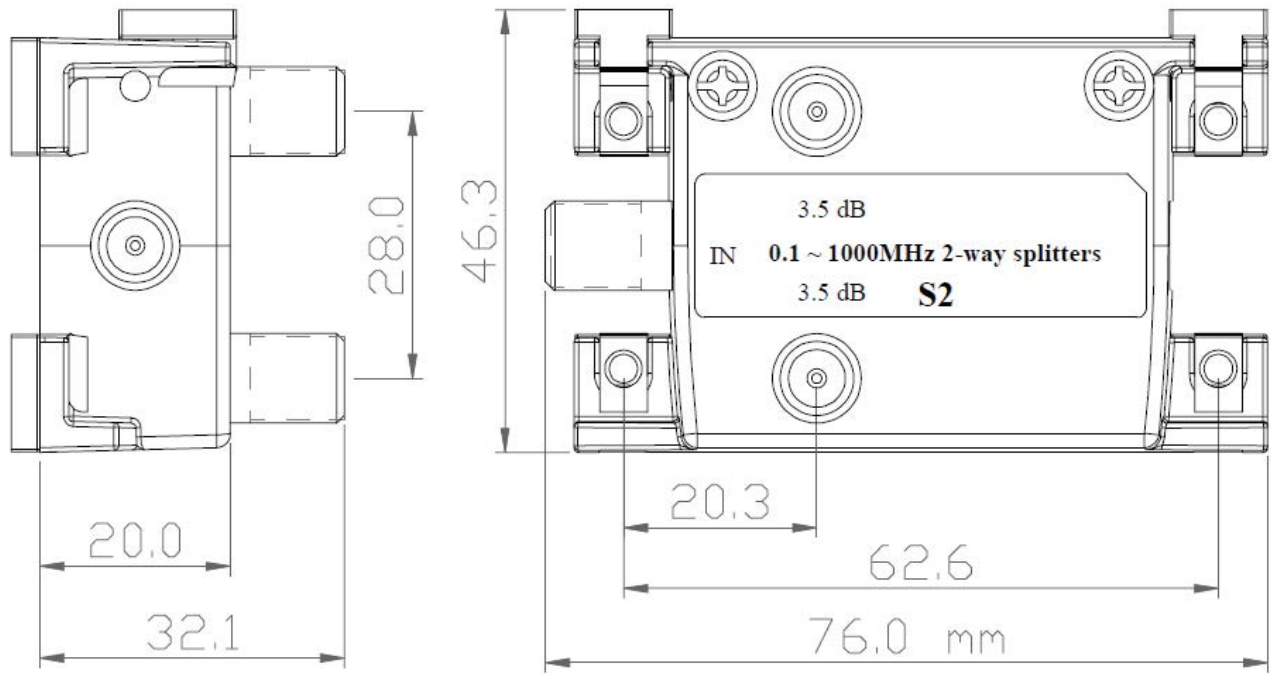
Splitter, 4 way (TV, R) with F-conn.



Description

- ✓ Digital-analogue splitters for marine use 100 kHz-1000 MHz
- ✓ Isolated 5 mm base, to avoid grounding to hull, to make it double isolated
- ✓ Linear frequency response up to 1000 MHz
- ✓ Excellent port isolation
- ✓ Nickel plated HQ housing

Technical Dimensions



Specifications

TECHNICAL SPECIFICATION

Dimension (HxWxD) (mm)	(H) 46 x (W) 76 x (D) 32 mm
Bottom spacer	ABS Blue
Housing	Zinc Die-casting - finishing: CuSn Plated
Weight	0.145g
Insertion Loss IN-OUT 100 KHz	12.5 dB max.
Insertion Loss IN-OUT 0.1~5 MHz	6.7 dB typ. 12.5 dB max.
Insertion Loss IN-OUT 5~20 MHz	6.7 dB typ. 7.2 dB max.
Insertion Loss IN-OUT 20~300 MHz	6.7 dB typ. 7.2 dB max.
Insertion Loss IN-OUT 470~860 MHz	7.1 dB typ. 8.0 dB max.
Insertion Loss IN-OUT 860~1.000 MHz	6.7 dB typ. 7.2 dB max.
Isolation OUT-OUT 5~40 MHz	14.0 dB min.
Isolation OUT-OUT 40~300 MHz	20.0 dB min.
Isolation OUT-OUT 470~860 MHz	20.0 dB min.
Isolation OUT-OUT 860~1.000 MHz	14.0 dB max..
Return loss IN** 5~40 MHz	18.0 dB min.
Return loss IN** 5~40~1.000 MHz	20.0 dB *
	10.0 dB min.
Return loss OUT 5~20	...

MHz	14.0 dB min.
Return loss OUT 20~40 MHz	18.0 dB min.
Return loss OUT 40~1.000 MHz	20.0 dB *
Connectors	“F” Female
Impedance	75 Ohms
Screening factor	Class A
Operation temp.	-40 to +60°C
Approvals	CE50083-2:2006 (Class A)
*) At 40 MHz - 1.5 dB/OCT	
**) The tolerance of Return Loss Measurement: +/- 1.0 dB	