

2320000615

## SEAS T2-16

Tap-Off, 2 way (+16dB) (TV, R) with F-conn.



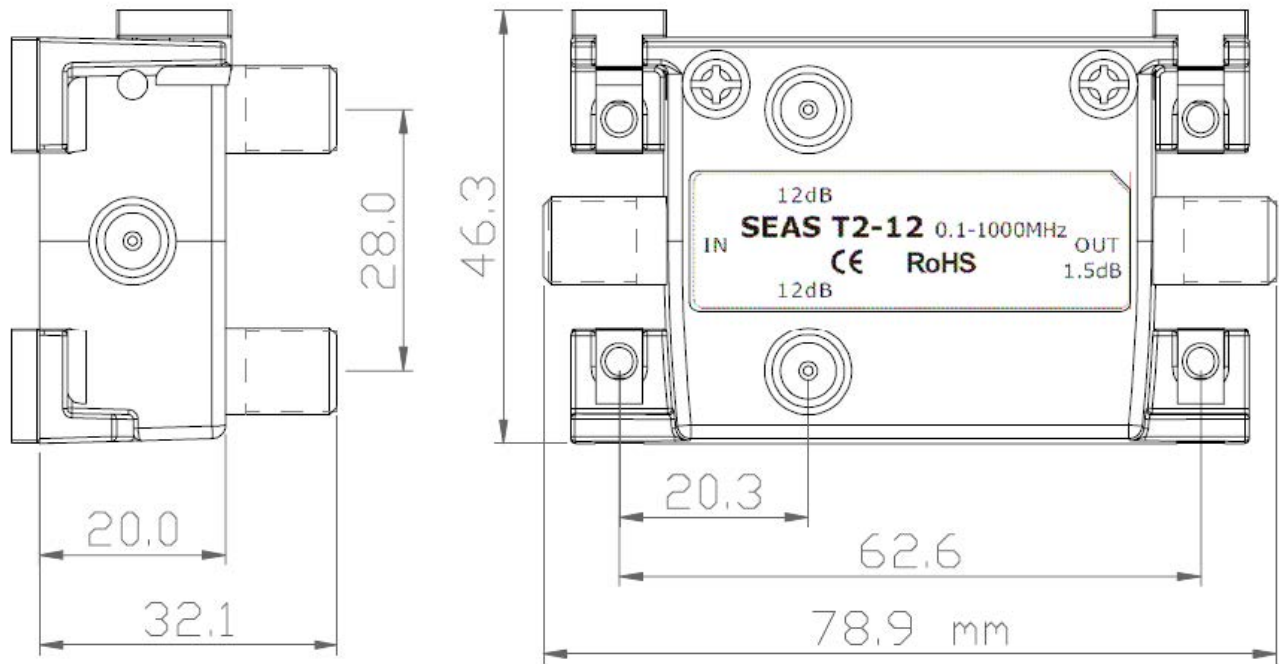
---

---

## Description

- ✓ Digital-analogue splitters for marine use 100 kHz-1000 MHz
- ✓ Isolated 5 mm base, to avoid grounding to hull, to make it double isolated
- ✓ Linear frequency response up to 1000 MHz
- ✓ Excellent port isolation
- ✓ Nickel plated HQ housing

## Technical Dimensions



# Specifications

## TECHNICAL SPECIFICATION

Dimension (HxWxD) (mm)	(H) 46 x (W) 76 x (D) 32 mm
Bottom spacer	PP, RAL5003 Dark Blue
Housing	Zinc Die-casting - finishing: CuSn Plated
Connectors	“F” Female
Weight	0.160 Kg
Insertion Loss (dB) IN- OUT 100~500 KHz	4.5 max.
Insertion Loss (dB) IN- OUT 0.5~5 MHz	1.5 max.
Insertion Loss (dB) IN- OUT 5~300 MHz	1.8 max.
Insertion Loss (dB) IN- OUT 300~1000 MHz	1.8 typ. 2.8 max.
Tap loss IN-TAP 100~500 KHz	21.5 max.
Tap loss IN-TAP 0.5~5 MHz	17 typ. 18 max.
Tap loss IN-TAP 5~300 MHz	16 +/- 1
Tap loss IN-TAP 300~860 MHz	16 +/- 1.5
Tap loss IN-TAP 860~1000 MHz	16.5 +/- 1.5
Isolation TAP-OUT 5~40	28 min..
Isolation TAP-OUT 40~300	30 min.
Isolation TAP-OUT 300~860	20 min.
Isolation TAP-OUT 860~1000	20 min.

Isolation TAP-TAP 5~40	40 min.
---------------------------	---------

Isolation TAP-TAP 40~300	40 min.
-----------------------------	---------

Isolation TAP-TAP 300~860	36 min.
------------------------------	---------

Isolation TAP-TAP 860~1000	36 min.
-------------------------------	---------

Return Loss**IN (dB) 5~20	16 min.
------------------------------	---------

Return Loss**IN (dB) 5~40	18 min.
------------------------------	---------

Return Loss**IN (dB) 40~1000	20*
---------------------------------	-----

Return Loss**IN (dB) 5~40	
------------------------------	--

Return Loss**IN (dB) 40~1000	
---------------------------------	--

Return Loss** OUT (dB) 5~20	16 min.
--------------------------------	---------

Return Loss** OUT (dB) 20~40	18 min.
---------------------------------	---------

Return Loss** OUT (dB) 40~1000	20*
-----------------------------------	-----

Return Loss** OUT (dB) 5~40	
--------------------------------	--

Return Loss** OUT (dB) 40~860	
----------------------------------	--

Return Loss** OUT (dB) 860~1000	
------------------------------------	--

Return Loss** TAP (dB) 5~20	10 min.
--------------------------------	---------

Return Loss** TAP (dB) 20~40	12 min.
---------------------------------	---------

Return Loss** TAP (dB) 40~1000	20*
-----------------------------------	-----

Return Loss\*\* TAP (dB)  
5~40

Return Loss\*\* TAP (dB)  
40~860

Return Loss\*\* TAP (dB)  
860~1000

Impedance 75 Ohms

Screening factor Class A

Operating temp. -40 to +60°C

Approvals CE50083-2:2006 (Class A)

\*) At 40 MHz - 1.5 dB/  
OCT

\*\*\*) The tolerance of  
Return Loss  
Measurement: +/- 1.0  
dB