

2320000616

SEAS T4-12

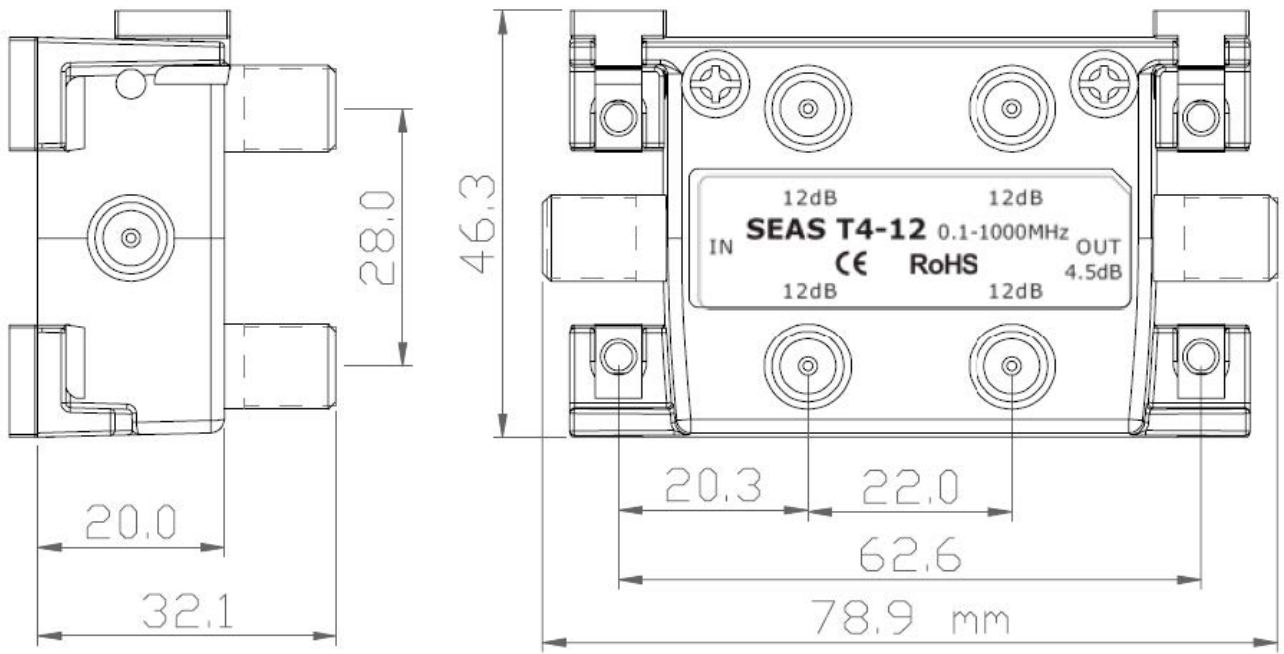
Tap-Off, 4 way (+12dB) (TV, R) with F-connectors



Description

- ✓ Digital-analogue splitters for marine use 100 kHz-1000 MHz
- ✓ Isolated 5 mm base, to avoid grounding to hull, to make it double isolated
- ✓ Linear frequency response up to 1000 MHz
- ✓ Excellent port isolation
- ✓ Nickel plated HQ housing

Technical Dimensions



Specifications

TECHNICAL SPECIFICATION

Dimension (HxWxD) (mm)	(H) 46 x (W) 76 x (D) 32 mm
Bottom spacer	PP, RAL5003 Dark Blue
Housing	Zinc Die-casting - finishing: CuSn Plated
Connectors	“F” Female
Weight	0.160 Kg
Insertion Loss (dB) IN- OUT 100~500 KHz	5.2 max.
Insertion Loss (dB) IN- OUT 0.5~5 MHz	2.5 max.
Insertion Loss (dB) IN- OUT 5~300 MHz	2.4 max.
Insertion Loss (dB) IN- OUT 300~1000 MHz	2 typ. 3 max.
Tap loss IN-TAP 100~500 KHz	16.0 dB min
Tap loss IN-TAP 0.5~5 MHz	20.0 dB *
Tap loss IN-TAP 5~300 MHz	10.0 dB min.
Tap loss IN-TAP 300~860 MHz	14.0 dB min.
Tap loss IN-TAP 860~1000 MHz	20.0 dB min.
Isolation TAP-OUT 5~40 MHz	25 min.
Isolation TAP-OUT 40~300 MHz	28 min.
Isolation TAP-OUT 300~860 MHz	20 min.
Isolation TAP-OUT 860~1000 MHz	20 min.
Isolation TAP-TAP 5~40	

Isolation TAP-TAP 40~300 MHz	36 min.
Isolation TAP-TAP 300~860 MHz	40 min.
Isolation TAP-TAP 860~1000 MHz	34 min.
Return Loss**IN (dB) 5~20 MHz	40 min.
Return Loss**IN (dB) 5~40 MHz	18 min.
Return Loss**IN (dB) 40~1000 MHz	18 min.
Return Loss**IN (dB) 5~40 MHz	20*
Return Loss**IN (dB) 40~1000 MHz	
Return Loss** OUT (dB) 5~20 MHz	
Return Loss** OUT (dB) 20~40 MHz	18 min.
Return Loss** OUT (dB) 40~1000 MHz	20 min.
Return Loss** OUT (dB) 5~40 MHz	20*
Return Loss** OUT (dB) 40~860 MHz	
Return Loss** OUT (dB) 860~1000 MHz	
Return Loss** TAP (dB) 5~20 MHz	
Return Loss** TAP (dB) 20~40 MHz	12 min.
Return Loss** TAP (dB) 40~1000 MHz	12 min.
Return Loss** TAP (dB) 5~40 MHz	20*
Return Loss** TAP (dB) 40~860 MHz	

Return Loss** TAP (dB)
860~1000 MHz

Impedance	75 Ohms
-----------	---------

Screening factor	Class A
------------------	---------

Operating temp.	-40 to +60°C
-----------------	--------------

Approvals	CE50083-2:2006 (Class A)
-----------	--------------------------

*) At 40 MHz - 1.5 dB/
OCT

**) The tolerance of
Return Loss
Measurement: +/- 1.0 dB
