

2320000618

SEAS T4-20

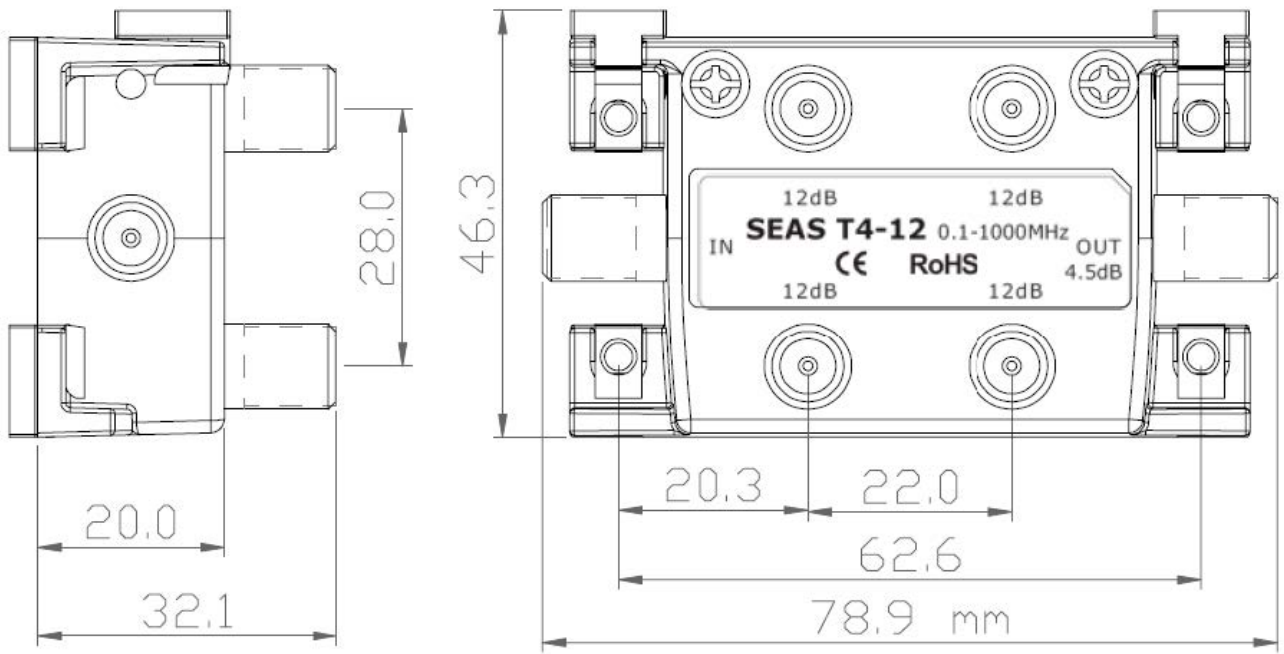
Tap-Off, 4 way (+20dB) (TV, R) with F-connectors



Description

- ✓ Digital-analogue splitters for marine use 100 kHz-1000 MHz
- ✓ Isolated 5 mm base, to avoid grounding to hull, to make it double isolated
- ✓ Linear frequency response up to 1000 MHz
- ✓ Excellent port isolation
- ✓ Nickel plated HQ housing

Technical Dimensions



Specifications

TECHNICAL SPECIFICATION

Dimension (HxWxD) (mm)	(H) 46 x (W) 76 x (D) 32 mm
Bottom spacer	PP, RAL5003 Dark Blue
Housing	Zinc Die-casting - finishing: CuSn Plated
Connectors	"F" Female
Weight	0.160 Kg
Insertion Loss (dB) IN- OUT 100~500 KHz	11 max.
Insertion Loss (dB) IN- OUT 0.5~5 MHz	3 typ. 4.5 max.
Insertion Loss (dB) IN- OUT 5~300 MHz	3.5 typ. 4.5 max.
Insertion Loss (dB) IN- OUT 300~860 MHz	3.5 typ. 4.5 max..
Insertion Loss (dB) IN- OUT 860~1000 MHz	3.8 typ. 4.5 max.
Tap loss IN-TAP 100~500 KHz	31.5 max.
Tap loss IN-TAP 0.5~5 MHz	21 typ. 23 max.
Tap loss IN-TAP 5~300 MHz	20 +/- 1
Tap loss IN-TAP 300~860 MHz	20 +/- 1.5
Tap loss IN-TAP 860~1000 MHz	20 +/- 1.5
Isolation TAP-OUT 5~40 MHz	30 min.
Isolation TAP-OUT 40~300 MHz	30 min.
Isolation TAP-OUT 300~860 MHz	24 min.
Isolation TAP-OUT 860~1000 MHz	24 min.

Isolation TAP-TAP 5~40 MHz	40 min.
----------------------------	---------

Isolation TAP-TAP 40~300 MHz	40 min.
------------------------------	---------

Isolation TAP-TAP 300~860 MHz	36 min.
-------------------------------	---------

Isolation TAP-TAP 860~1000 MHz	34 min.
--------------------------------	---------

Return Loss**IN (dB) 5~20 MHz	
-------------------------------	--

Return Loss**IN (dB) 5~40 MHz	
-------------------------------	--

Return Loss**IN (dB) 40~1000 MHz	
----------------------------------	--

Return Loss**IN (dB) 5~40 MHz	12 min.
-------------------------------	---------

Return Loss**IN (dB) 40~1000 MHz	20*
----------------------------------	-----

Return Loss** OUT (dB) 5~20 MHz	
---------------------------------	--

Return Loss** OUT (dB) 20~40 MHz	
----------------------------------	--

Return Loss** OUT (dB) 40~1000 MHz	
------------------------------------	--

Return Loss** OUT (dB) 5~40 MHz	16 min.
---------------------------------	---------

Return Loss** OUT (dB) 40~860 MHz	20*
-----------------------------------	-----

Return Loss** OUT (dB) 860~1000 MHz	20*
-------------------------------------	-----

Return Loss** TAP (dB) 5~20 MHz	
---------------------------------	--

Return Loss** TAP (dB) 20~40 MHz	
----------------------------------	--

Return Loss** TAP (dB) 40~1000 MHz	
------------------------------------	--

Return Loss** TAP (dB) 5~40 MHz	12 min.
---------------------------------	---------

Return Loss** TAP (dB)	
------------------------	--

Return Loss** TAP (dB) 40~860 MHz	20*
Return Loss** TAP (dB) 860~1000 MHz	20*
Impedance	75 Ohms
Screening factor	Class A
Operating temp.	-40 to +60°C
Approvals	CE50083-2:2006 (Class A)

*) At 40 MHz - 1.5 dB/
OCT

**) The tolerance of
Return Loss
Measurement: +/- 1.0 dB