



2810050030

## BC-13-240

Bergen Cabling Patch Panel 6 port DIN-Rail mount - Empty

---

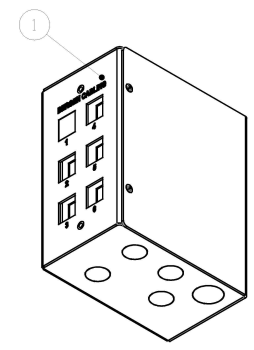
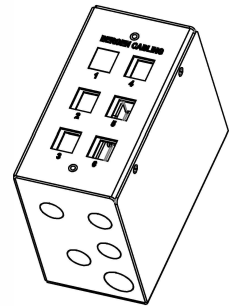
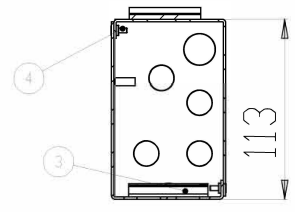
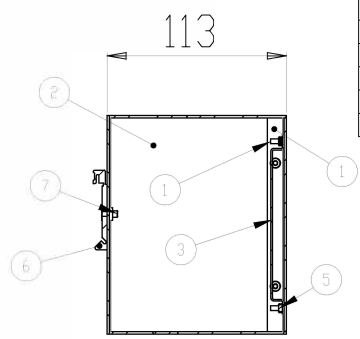
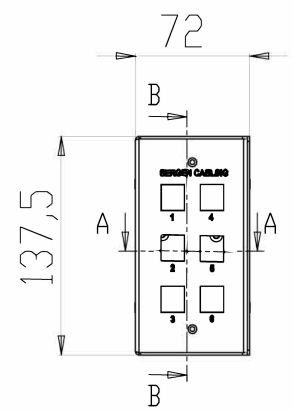
---

### Description

Compact Modular DIN-Rail patch panel in Stainless 316 steel . Can be filled with 6 LC duplex adaptors for a 12 fiber solution, or a mix of copper and fiber.

### Technical Dimensions

This drawing is the property of Stanssefabrikken Produktions AS. It is intended for internal use only. It is not to be reproduced, stored in a retrieval system, or transmitted in any form or by any means, electronic, mechanical, photocopying, recording, or by any information storage and retrieval system, without the prior written permission from the company.



ITEM NO.	PART NUMBER	DESCRIPTION	QTY.
1	assy sff51627		1
2	assy sff51628		1
3	sff51629	PATCH PANEL MOUNTING PLATE	1
4	200668	SCREW M3X10 DIN965 A2 TORX	4
5	002-04-0019	NUT M3 DIN934 A2	2
6	001-16-0006	VT124 / DIN RAIL HOLDER	1
7	002-01-0231	SCREW M4X10 DIN7991 A2 TORX	2
8	connector	-	1

SUPPLIER	Material	Sheet thickness	Weight
Project	Reference NS-ISO 2768-1,M	Units	Scale 1:2
Department	Designer	Designer	Format A3
Page	Description PATCH PANEL	Document status RELEASED	
		Drawing no SFF51630	
		Revno	Date 2019-08-26
			Sheet/Sheets

File: \\pabrik\CUSTOMERS\SRP\100k\project\00k\panel\1\1153638 DW-system SolidWorks 2007

# Specifications

Operating temperature: 0°C - 70°C  
Storage/transport temperature: -40°C - 80°C  
Relative humidity (non-condensing): 10% - 95%

## MECHANICAL CONSTRUCTION

Dimensions (HxDxW)	138 x 113 x 74 mm
Mounting Options	Rear DIN-Rail
Weight	0.8 kg
Protection class	IP20

## Accessories



### BC-11-006

BC-11-006 Connector RJ45  
Cat6A STP v2

Item Number: 2220012257



### BC-12-284

Adapter Keystone LC Duplex

Item Number: 2810050032



### BC-12-289

Adapter Keystone blanking plug

Item Number: 2810050031



### BC-14-201

Bergen Cabling - Keystone  
Termination Tool for BC-11-004  
and BC-11-006

Item Number: 2810050014