

3005010215

## VM50-RDF

Dual Volume Control 4 Wire Failsafe Override 2x50W



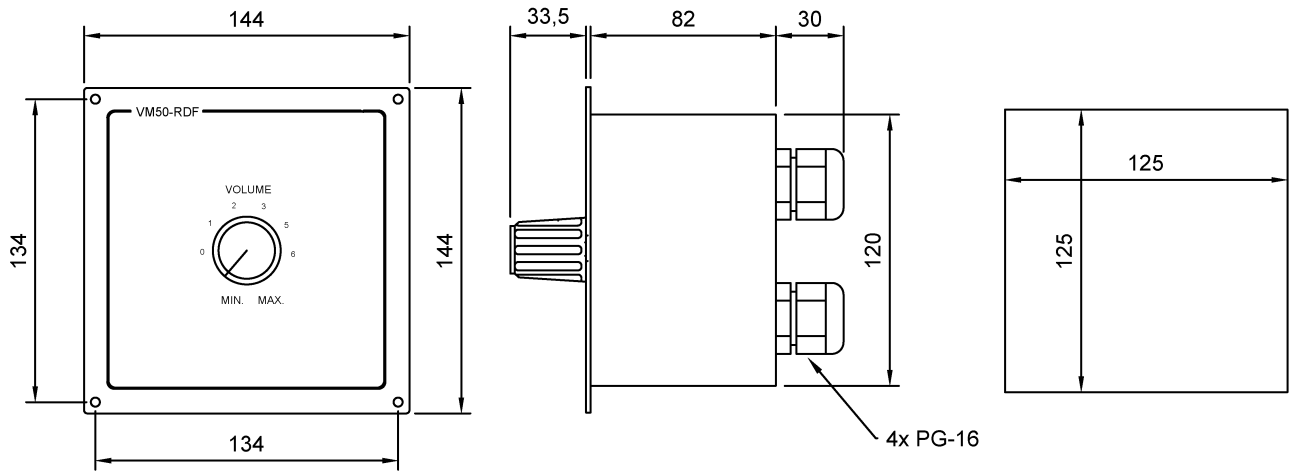
---

---

## Description

- ✓ Dual volume control, 4 wire 2x 50W
- ✓ Failsafe override
- ✓ For use in Public address and general alarm system
- ✓ For flush mounting
- ✓ Optional, wall mounting by using back box

## Technical Dimensions

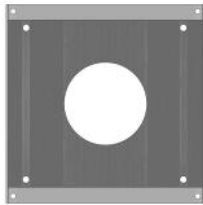


# Specifications

## GENERAL

Material / Colour	Black anodized aluminium
Dimension (mm)	144W x 144H x 82D
Mounting	Flush with 4x4 mm screws
Cable gland	4 x PG-16
Input	From 100V amplifier
Output	100V
Output power	2 x 50W
Override power supply	24V DC / 20 mA
Termination	Plugable screw terminals for max <sup>2</sup> cable
Weight	0.7 kg
Operating temperature	-15°C to +55°C
Environmental Condition	Protected

## Accessories



### SPA-M6BOKS

Wall-mount box for SPA-M1/M6 and VM15/50-RD panels