

3005010212

VM15-RDF

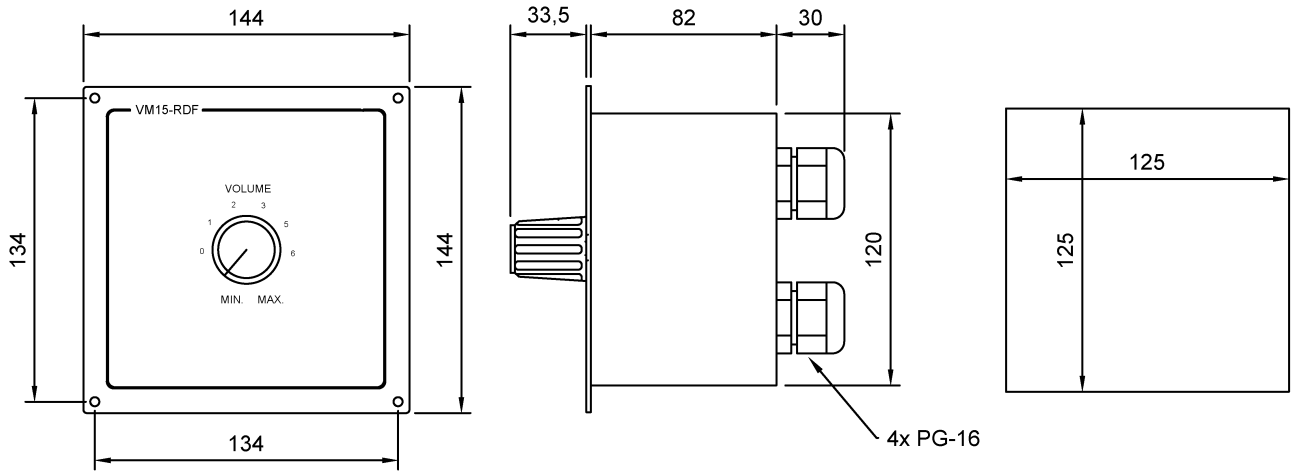
Dual Volume Control 4 Wire Failsafe Override 2x15W



Description

- ✓ Dual volume control, 4 wire 2x 15W
- ✓ Failsafe override
- ✓ For use in Public address and general alarm system
- ✓ For flush mounting
- ✓ Optional, wall mounting by using back box

Technical Dimensions

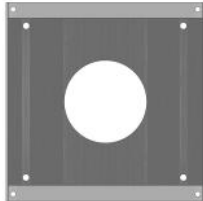


Specifications

GENERAL

Material / Colour	Black anodized aluminium
Dimension (mm)	144W x 144H x 82D
Mounting	Flush with 4x4 mm screws
Cable gland	4 x PG-16
Input	From 100V amplifier
Output	100V
Output power	2 x 15 W
Override power supply	24V DC / 20mA
Termination	Plugable screw terminals for max 2.5mm ² cable
Weight	0.7 kg
Operating temperature	-15°C to +55°C

Accessories



SPA-M6BOKS

Wall-mount box for SPA-M1/M6 and VM15/50-RD panels