

2131000133

CLWT-135T

Ceiling Speaker WT, 100V, IP55, 6W



- ✓ Ceiling loudspeaker intended for bathrooms and humid rooms
- ✓ Watertight back box ensuring IP55 rating from all sides
- ✓ Double cable glands for loop in / loop out connection
- ✓ Thermal fuse
- ✓ Ceramic terminals

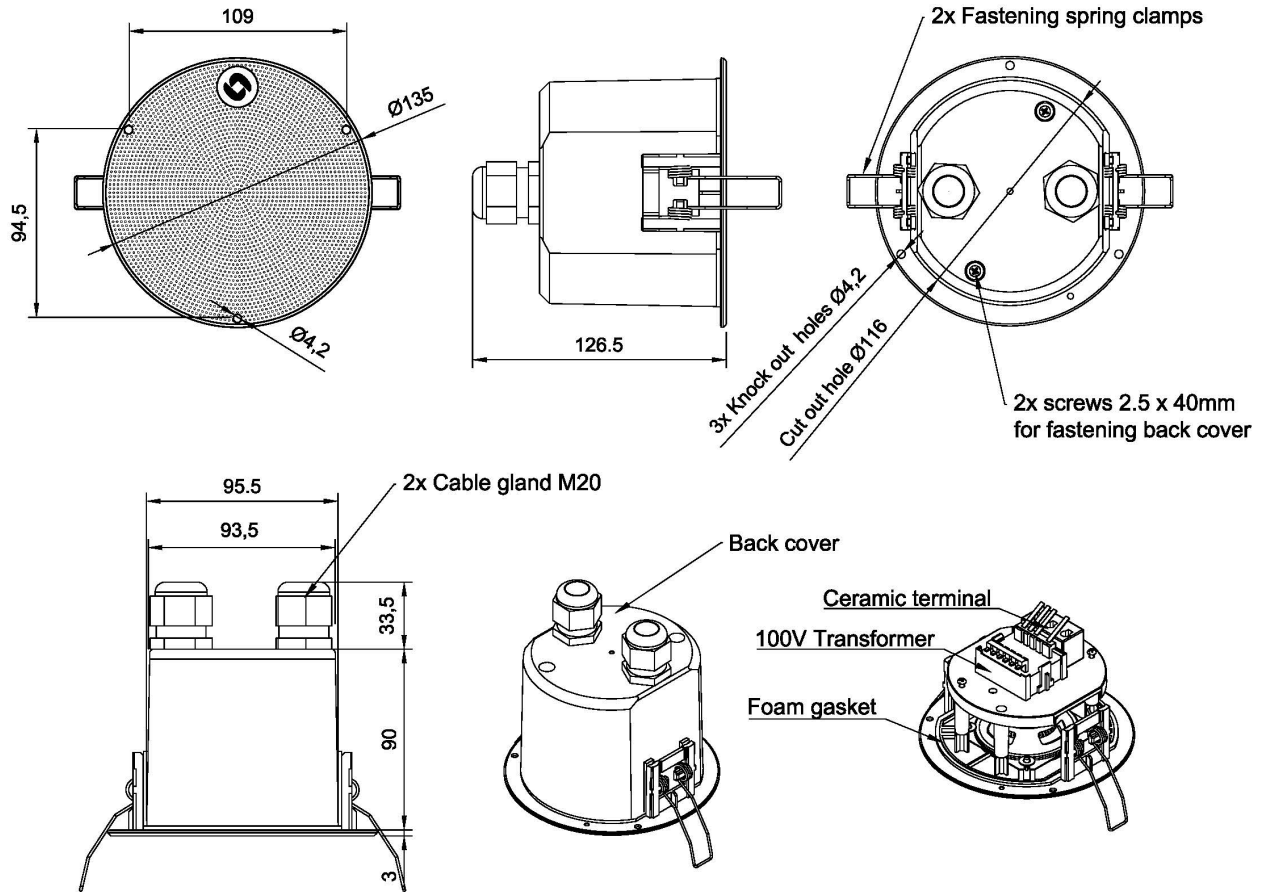
Description

The Vingtor-Stentofon flush mounted ceiling speaker CLWT-135T is made for demanding environments.

- ✓ IP55 Water ingress protection from all sides
- ✓ Good audio quality
- ✓ Plastic back box
- ✓ Spring fasteners and screw holes for vibrating environments
- ✓ Spring fasteners only for non-vibrating environments
- ✓ Adjustable power tapping to accommodate separate room sizes
- ✓ Back box glands increase stability of wire connections
- ✓ Supports loop wiring with 2 x 20 mm back box glands
- ✓ Includes thermal fuse, ceramic terminals and transformer for 100V lines

The back box glands enhance the speaker and provide extra coverage against dust, humidity and water. Using both glands facilitates loop-wiring and reduces the need for costly junction boxes

Technical Dimensions



Specifications

GENERAL

Dimensions (Diameter x Depth)	Ø136 x D130 mm
Cut Out Dimension (Dia.)	Ø116mm
Suspension / Mounting	Spring Clamp
Operating temperature range	-20 ~ + 70
Rated/ max power	6W / 12W
Power tappings	100 V 6 - 3 - 1.5 W
Sound Pressure Level (400,500,600,700HZ , 1W/1M)	88 dB ±3dB
Frequency range	200 – 20000 Hz
Speaker	2.5 “ Paper Cone With Cloth Surround (Moisture Resistant)
Connections	Ceramic Terminal Block With thermal fuse
Baffle Material	ABS ,UL94 Vo , White RAL 9010
Grille Material	ABS ,UL94 Vo , White RAL 9010
Back Cover	ABS ,UL94 Vo , White RAL 9010
Glands	2x MGB20-14B
Weight	0, 62kg
Environmental Condition	Protected