

2131000131

CLMQ-200T

6" Ceiling speaker, high sound quality, 100V, 6W

- ✓ Suitable for installation on ceilings with a thickness of 5–25 mm

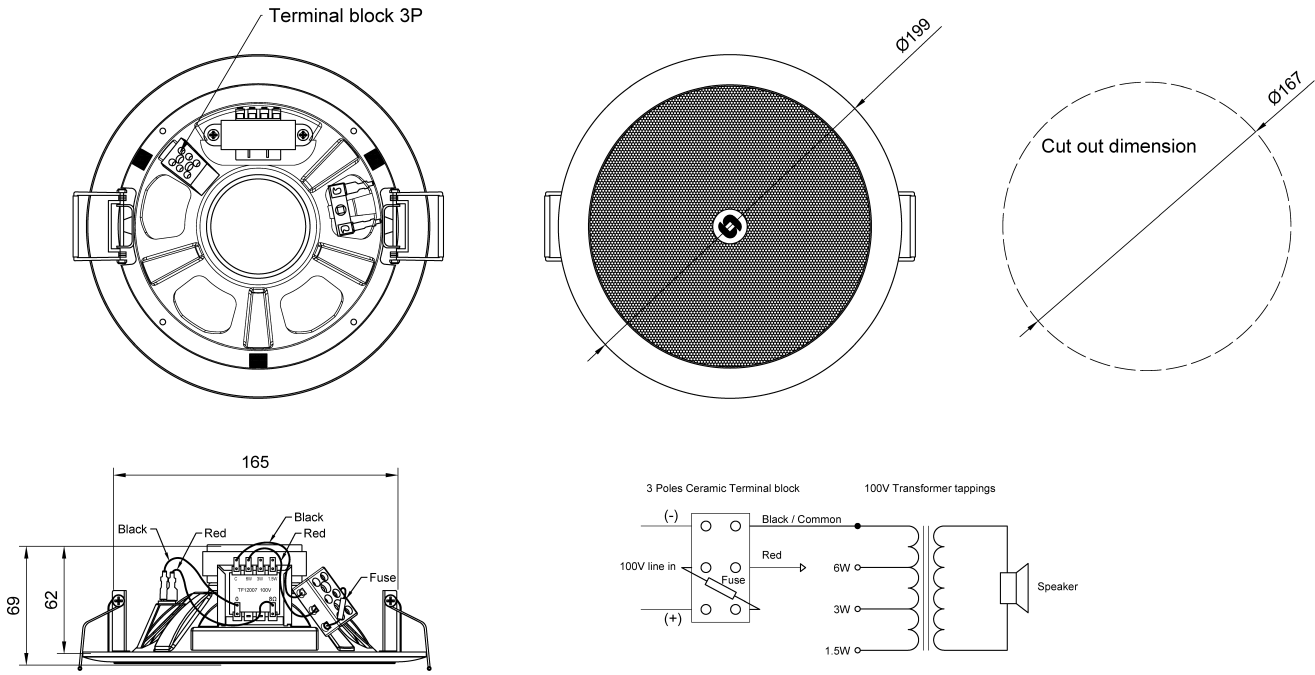


Description

This 6" ceiling speaker delivers high quality sound with a flat frequency response curve making it highly suitable for distribution of background music, announcements and voice messages with a high level of intelligibility.

The speaker is easily mounted with two spring clamps and there are no screws in the front giving the speaker a discreet and elegant appearance.

Technical Dimensions



Specifications

GENERAL

Dimensions (Diameter x Depth)	Ø199 x D83mm
Cut Out Dimension (Dia.)	Ø167mm
Suspension / Mounting	Spring Clamp
Operating temperature range	-20 ~ + 70
Rated Power	6W
Max Power	10W
Sensitivity	90 dB ± 3dB, 1W/1M
Frequency Range	70 Hz ~ 20 KHz -10dB / ±20% Hz
Rated Voltage	100 V
Power tappings	6-3-1.5W
Baffle	Steel White
Mesh Grille	Aluminum, White
Weight	0,98 kg
Environmental Condition	Protected

PRODUCT OPTIONS

2131000140	Fire dome for CLMQ-200T incl. mounting screws & 2xM20 glands
------------	--

Accessories



CLMQ-200-FD

Fire Dome for CLMQ-200T

Item Number: 2131000140