

2131000137

## BSWT-6T

On-wall speaker, 100V, IP65, 6W



---

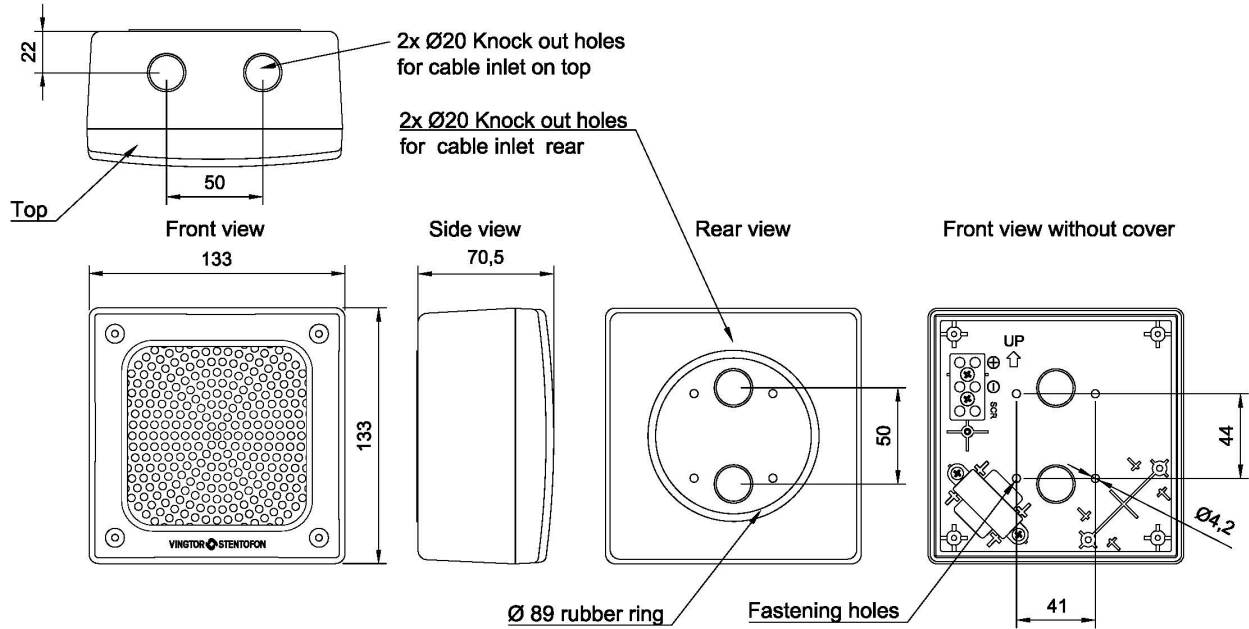
---

## Description

- ✓ Made for marine environment
- ✓ Good audio quality
- ✓ Corrosion-free plastic enclosure
- ✓ Cable entry in the bottom or from the back
- ✓ An integrated gasket enables watertight mounting without cable glands when using the rear cable entry
- ✓ Adjustable power tapping to accommodate separate room sizes
- ✓ Supports loop wiring with double cable entries
- ✓ Includes thermal fuse, ceramic terminals and transformer for 100V lines

The Vingtor-Stentofon on-wall watertight speaker BSWT-6T is made for demanding environments. The speaker is well suited for marine usage with water ingress protection from all sides.

## Technical Dimensions



# Specifications

## GENERAL

|                             |   |
|-----------------------------|---|
| Dimensions (HxWxD)          | 133 x 133 x 70,5 mm                         |
| Woofers size                | 3"  |
| Mounting                    | Screw Mount                                 |
| IP rating                   | IP65  |
| Operating temperature range | -20 ~ + 70                                  |
| Rated Power                 | 6W  |
| Max Power                   | 10W   |
| Power tapings               | 6-3-1.5W                                    |
| Sensitivity SPL 1W / 1m     | 89dB  |
| Sensitivity Max SPL, 1m     | 97dB  |
| Rated Voltage               | 100V  |
| Frequency range             | 150 ~ 16 KHZ                                |
| Termination                 | Ceramic Terminal Block<br>With thermal fuse |
| Color                       | White RAL 9010                              |
| Weight                      | 0.68 kg                                     |
| Environmental Condition     | Protected                                   |