

1490001010

ITSV-1

IP Touch Station with Video This product has been replaced by 1490002010 ITSV-2



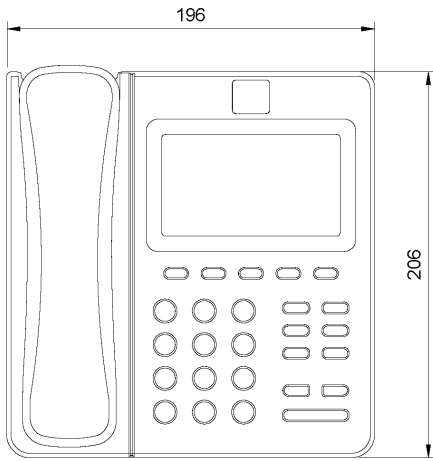
- ✓ Video desktop intercom supporting AlphaCom XE, SIP and IC-EDGE solutions
- ✓ Phonebook with up to 1000 contacts and call history with up to 1000 records
- ✓ Dual switched auto-sensing 10/100/1000Mbps network ports
- ✓ Wi-Fi (802.11b/g/n), PoE+, Bluetooth, USB, SD, HDMI, EHS with Plantronics headsets support
- ✓ 4.3" (480x272) capacitive (5 points) touch screen TFT LCD
- ✓ Megapixel CMOS sensor camera with privacy shutter
- ✓ HD wideband audio

Description

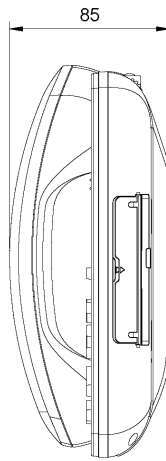
ITSV-1 represents the future in IP Intercom Services, featuring Android™ Operating System 4.2, a 4.3" (480x272) capacitive touch screen, a tiltable mega-pixel CMOS sensor, dual Gigabit network ports, integrated Wi-Fi, PoE and Bluetooth. The ITSV-1 delivers superior HD audio & video, leading edge SIP intercom features and integration with IC-EDGE and AlphaCom IP Intercom Platforms, developed by Zenitel. ITSV-1 redefines the desktop communication experience with a raised level of innovation and integration of state-of-art real time video conferencing, personalized rich media presentation & delivery. ITSV-1 is a full-duplex hands-free speakerphone with advanced acoustic echo cancellation and excellent double-talk performance.

Technical Dimensions

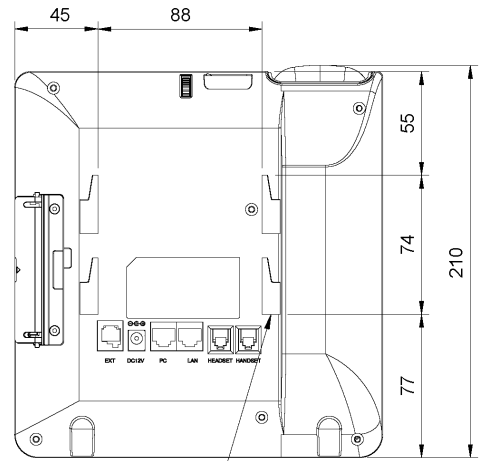
FRONT VIEW



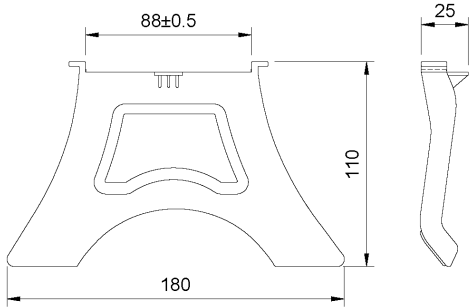
RIGHT VIEW



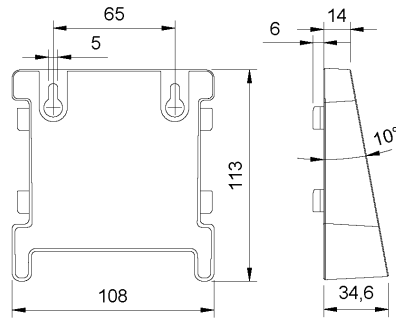
REAR VIEW



Phone Stand



Wall Mount bracket



Slots for the wall mount bracket and phone stand

Specifications

GENERAL

Dimension (WxLxH)	196.5mm (W) x 206.2mm (L) x 85.2mm (H)
Weight	0.92kg
Graphic Display	4.3" (480x272) capacitive (5 points) touch screen TFT LC
Camera	Tiltable mega pixel CMOS camera with privacy shutter
Video Codec	H.264, supports display of MJPEG streams
Video resolution	Up to 720p
Video frame rate	Up to 30 fps
Operating temperature range	0°C to +40°C
Storage temperature range	-10°C to +60°C
Relative humidity	10% - 90% non-condensing
Power options	Power over Ethernet (PoE) or power adapter.
Power over Ethernet	IEEE 802.3at, Class 4, Idle 3.8W, max. 9.7W
Power adapter	12VDC, 1.5A, Idle 2.2W, max 7.6W
Network Interface	2 x RJ45 (Ethernet) 10/100/1000 Mbps with integrated PoE
Bluetooth	Integrated, Bluetooth 4.0 + EDR
Wi-Fi	Integrated, 802.11 b/g/n
Security	MD5 and MD5-sess authentication, 256-bit AES encryption, TLS, SRTP, HTTPS, 802.1x media access control
SIP	RFC 3261, SIP Info (DTMF), RFC 2833 (DTMF)
IP protocols	IPv4 - IPv6 - TCP - UDP - HTTPS – TFTP - RTP - RTCP - DHCP - SIP
Audio technology	Wideband 200 Hz - 7 kHz (G.722), Telephony 3.4kHz (G.711), Narrowband (G.729)
Compliance	CE and FCC Part 15

Used With



TCIV-2

Vandal Resistant VoIP Video Intercom
This product has been replaced by
1008315020 TCIV-2+



TCIV-3

IP and SIP Video Intercom This product
has been replaced by 1008315030 TCIV-
3+



TCIV-6

IP and SIP Video Intercom This product
has been replaced by 1008315060 TCIV-
6+



IP Vandal Resistant Video Intercom
Station w/ CP CAM Camera

CP CAM Camera



TCIV-5

IP and SIP Video Intercom This product
has been replaced by 1008315050 TCIV-
5+