

2131000138

CL-200T

Ceiling Loudspeaker Steel Firedome, new back box



- ✓ Made for marine environment
- ✓ Good audio quality
- ✓ Steel back box to reduce fire risk and spread
- ✓ Spring fasteners and screw holes for vibrating environments
- ✓ Spring fasteners only for non-vibrating environments
- ✓ Adjustable power tapping to accommodate separate room sizes
- ✓ Back box glands increase stability of wire connectivity
- ✓ Supports loop wiring with 2 x 20 mm back box glands
- ✓ Includes thermal fuse, transformer and supports 100V lines
- ✓ Ceramic terminals

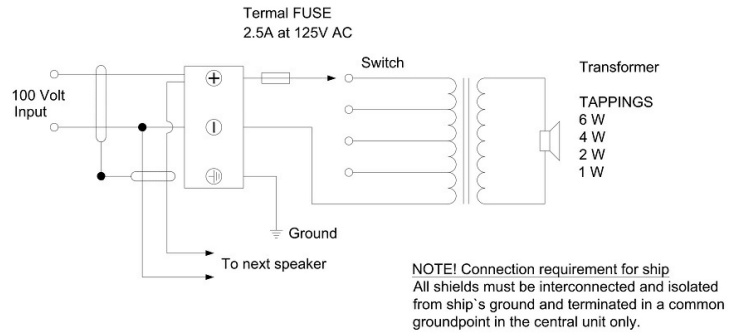
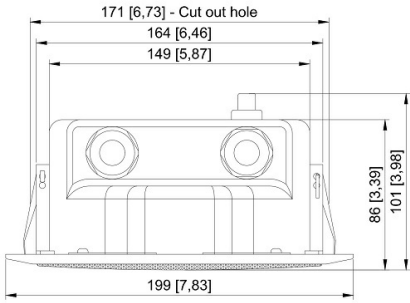
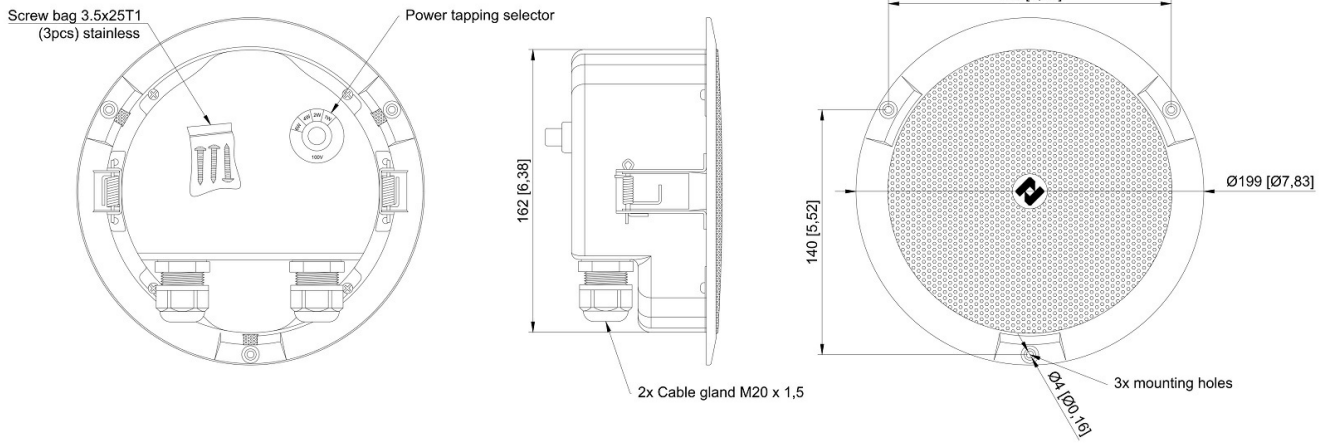
Description

The Vingtor-Stentofon flush mounted ceiling speaker CL-200T is made for the most demanding environments – withstanding dusty, salty and vibrating environments. The speaker is well suited for marine usage – by use of zinc-treated steel grille with painted front and fully painted back box.

The entire enclosure is made from non-combustible materials. The CL-200T is therefore suited for ceilings where B-0 fire rating is specified.

The speaker is easy to install due to the one-hand adjustable power tapping button. The back box glands enhance the speaker and provide extra coverage against dust, humidity and water. Using both glands facilitates loop-wiring and reduces the need for costly junction boxes

Technical Dimensions



Specifications

Dimensions (Diameter x depth)	199x101mm
Weight	1,45kg
Mounting	Flush mounted – ceiling or wall. Clamps and/or 3 screws (4 mm holes)
Operating temperature range	-20 - 90 °C
Rated/ max power	6W
Power tapings	6 – 4 – 2 – 1 W
SPL 1W / 1m	92 dB
Frequency range	150 – 20000 Hz
Color	RAL 9010
Glands	2xM20 (8.5-14mm)
IP rating (from front side only)	IP 44 (when installed in a flat horizontal roof)
Environmental Condition	Protected