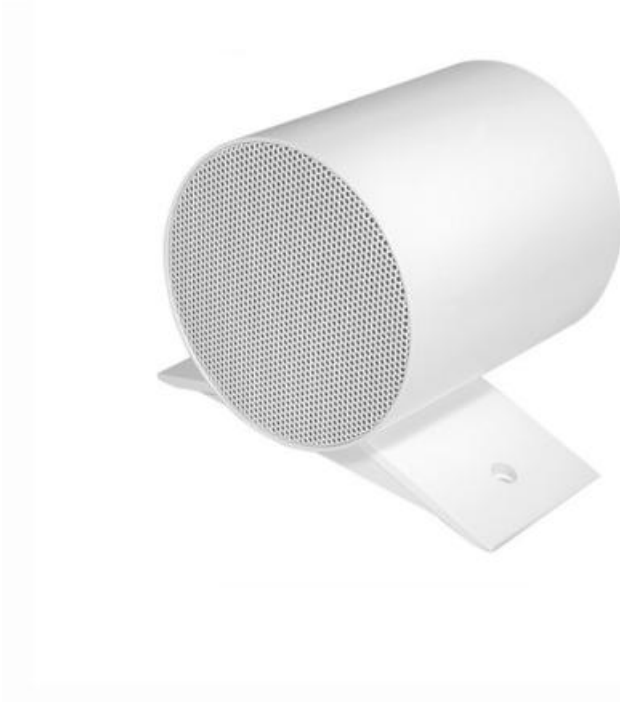


2340032004

DA 10-260/T-EN54

EN54 projector speaker 10 watt

- ✓ Bi-directional
- ✓ Vandal-proof
- ✓ Aluminium housing



Description

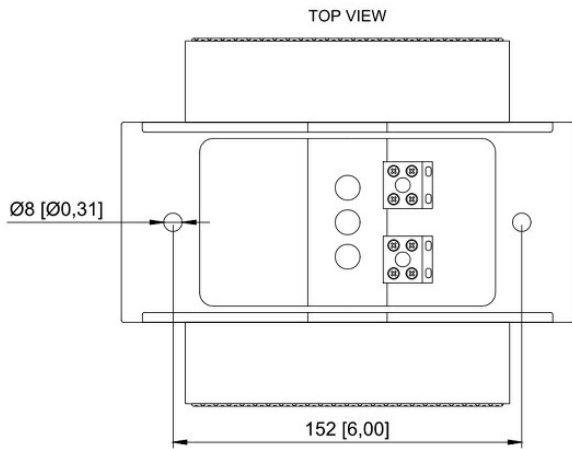
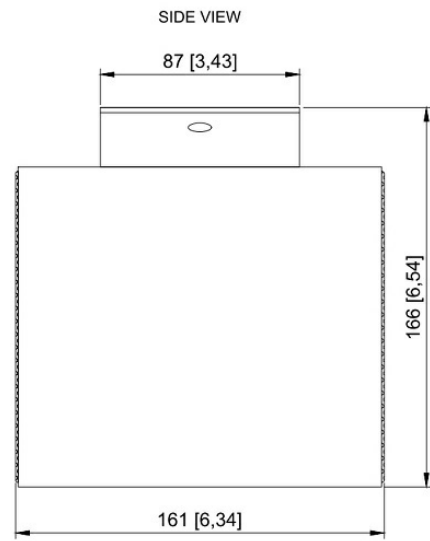
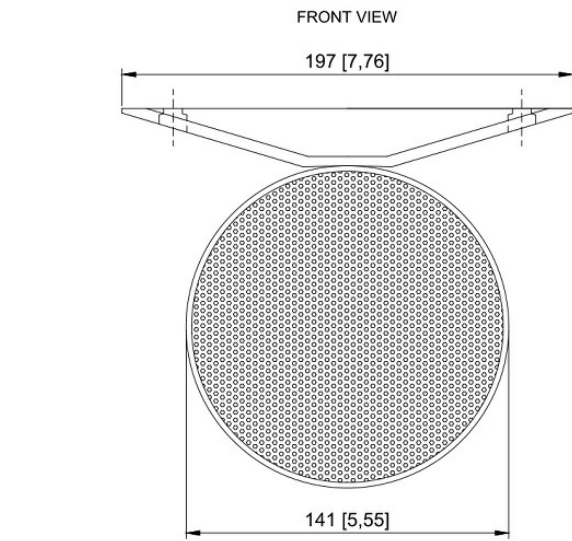
Bi-directional speaker for voice alarm applications, certified according to EN 54-24, suitable for voice announcements and background music with excellent sound quality in buildings.

The 10W powered speaker is equipped with two 130mm full-range loudspeakers and a 100V line transformer with 4 power adjustments. A robust powder coated aluminum housing in RAL 9010, and a vandal-resistant feet ensure a permanent installation of this speaker. For additional reliability, a 2 pin-ceramic block and a thermal fuse is provided and the speaker chassis is impregnated against wetness.

The speaker is also secured with the high protection class IP 65 against the risks of environmental influences.

Perfectly suitable for the installation in corridors and hallways.

Technical Dimensions



Specifications

CHARACTERISTICS	VALUE
Power	10/6/3/1,5 W
Frequency Range	237 - 12.400 Hz
Frequency Response	79 - 17.500 Hz
SPL 1W/1m, peak	95,3 dB
SPL , 1W/4m, peak	83,3 dB
SPL Pmax/4m, peak	93,3 dB
Sensitivity EN54-24, 1W/4m	75,6 dB
Dispersion -6dB, 500Hz	122°
Dispersion -6dB, 1KHz	149°
Dispersion -6dB, 2KHz	156°
Dispersion -6dB, 4KHz	63°
Connector	2-pin ceramic block
Maximum cable cross section	8mm ²
Max. cable cross section loop	2x2mm ²
Temperature range	- 20 / + 90 °C
Dimensions	166x197x161 mm
IP Rating	IP65
Weight (net)	2,35 kg
Colour	RAL 9010
Mounting	screws
Certificate Number	1438-CPR-0234
Environmental Condition	Protected