

2131000208

## VLS-30TF

Horn loudspeaker 30W 100V



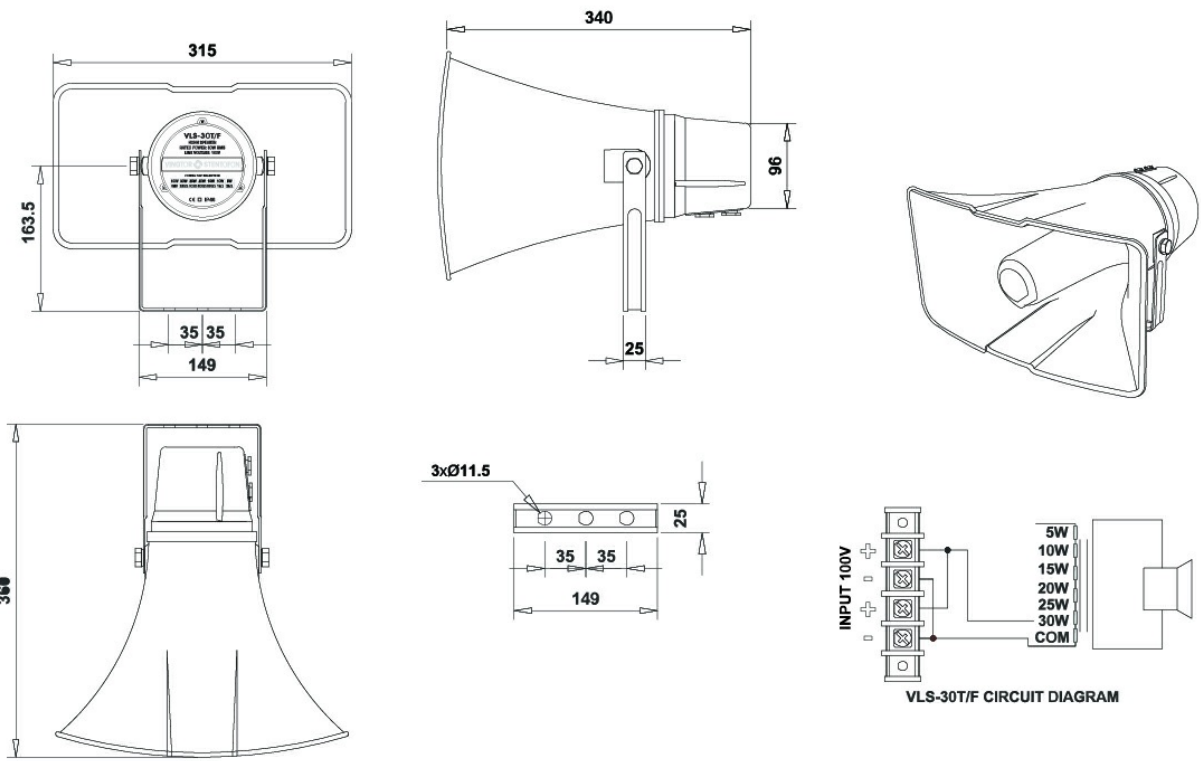
- ✓ Robust and powerful horn speaker
- ✓ Suitable for outdoor installation in harsh environments
- ✓ Prepared for loop in/ loop out connection
- ✓ 1x M20 gland and 1x blind plug included

 IP66

## Description

- ✓ General purpose 30W horn loudspeaker with transformer for 100V line
- ✓ Especially suitable for use in industrial sites or tough environments
- ✓ ABS housing and stainless steel bracket ensures good corrosion properties
- ✓ With 6 different power tapings: 5W, 10W, 15W, 20W, 25W, 30W

## Technical Dimensions



# Specifications

## GENERAL

Dimension (mm)	315W x 170H x 350D
Material, finish	ABS, grey
Mounting	Bracket, stainless steel grade 304
Connection	1x M20 gland and 1x blind plug included
Weight	2,49 kg
Rated power	30W rms
SPL at 1kHz	108dB/1W/1m - 123dB/30W/1 m
Effective frequency range	240 - 10000 Hz
IP rating	IP66
Temperature range	-40 °C - +55 °C
Power tapings	30/25/20/15/10/5W
Impedance	330/400/500/670/1k/2k
Environmental Condition	Exposed

## OTHER

2131000207	Additional M20 cable gland for VLS-15(TF)/VLS-30(TF). Not included and not mounted.
------------	---

## Accessories



## VLS-GLAND

Cable gland for VLS-15/30