

2131000142

CL-200T-AG

Ceiling Loudspeaker with Steel Firedome for Humid Rooms

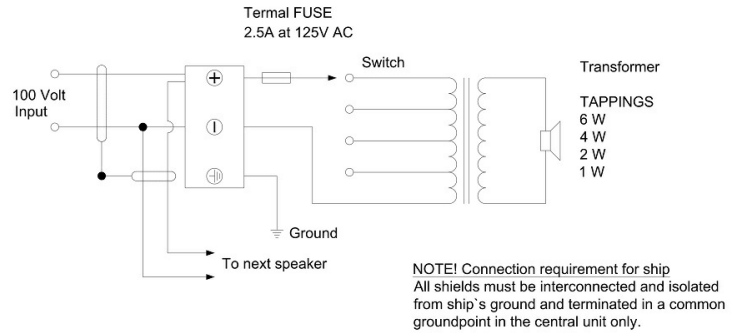
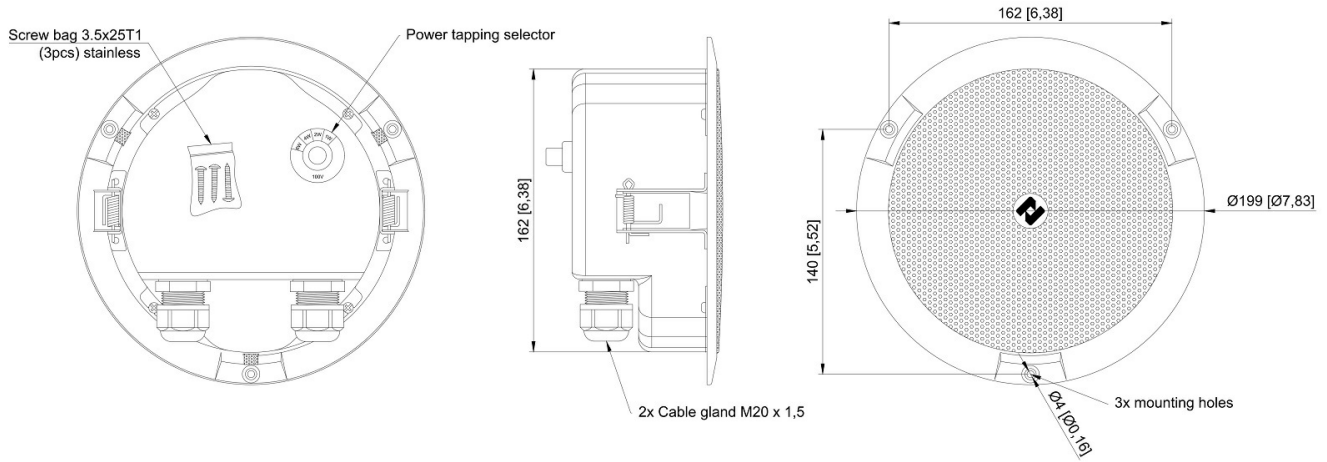


Description

The flush mounted ceiling speaker CL-200T-AG is made for humid rooms where fire integrity is also required. The ceiling speaker has a tropicalized speaker cone to withstand moisture and the entire enclosure is made from non-combustible materials. The CL-200T-AG is therefore suited for ceilings where B-0 fire rating is specified.

- ✓ Made for marine environment
- ✓ Good audio quality
- ✓ Steel back box to reduce spread of fire
- ✓ Selector on the back to adjust power tapping to accommodate separate room sizes
- ✓ Cable glands increase stability of wire connectivity
- ✓ Supports loop wiring with 2 x M20 cable glands
- ✓ Includes thermal fuse and ceramic terminals
- ✓ Aluminum grille and fully painted chassis provides good corrosion properties

Technical Dimensions



Specifications

Dimensions (Diameter x depth)	199x101mm
Weight	1,45kg
Mounting	Flush mounted – ceiling or wall. Clamps and 3 screws (4 mm holes)
Operating temperature range	-20 - 90 °C
Rated/ max power	6W
Power tappings	6 – 4 – 2 – 1 W
SPL 1W / 1m	92 dB
Frequency range	150 – 20000 Hz
Color	RAL 9010
Glands	2xM20 (8.5-14mm)
IP rating (from front side only)	IP 55 (from front side only after installation in a flat horizontal roof in accordance with mounting instructions and using all three fastening screws)