



2340220009

L-101-115Y

Xenon Strobes 115VAC, IP66, Yellow

Also available in other colors:

- ✓ 2340220007 : L-101-115R Xenon Strobe, 115V AC, IP-66 Red
- ✓ 2340220008 : L-101-115A Xenon Strobe, 115V AC, IP-66 Amber
- ✓ 2340220009 : L-101-115Y Xenon Strobe, 115V AC, IP-66 Yellow
- ✓ 2340220010 : L-101-115G Xenon Strobe, 115V AC, IP-66 Green
- ✓ 2340220011 : L-101-115B Xenon Strobe, 115V AC, IP-66 Blue
- ✓ 2340220012 : L-101-115C Xenon Strobe, 115V AC , IP -66 Clear

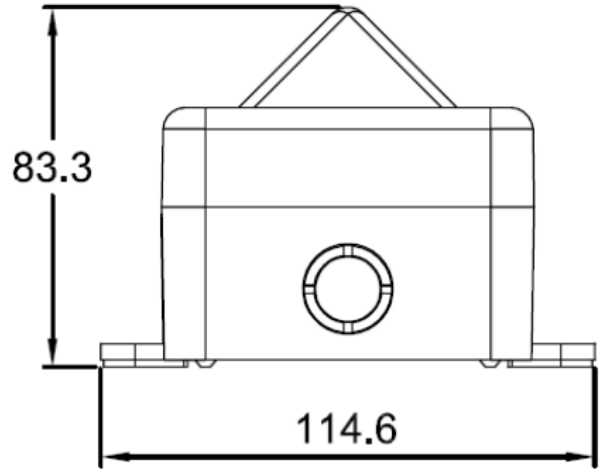
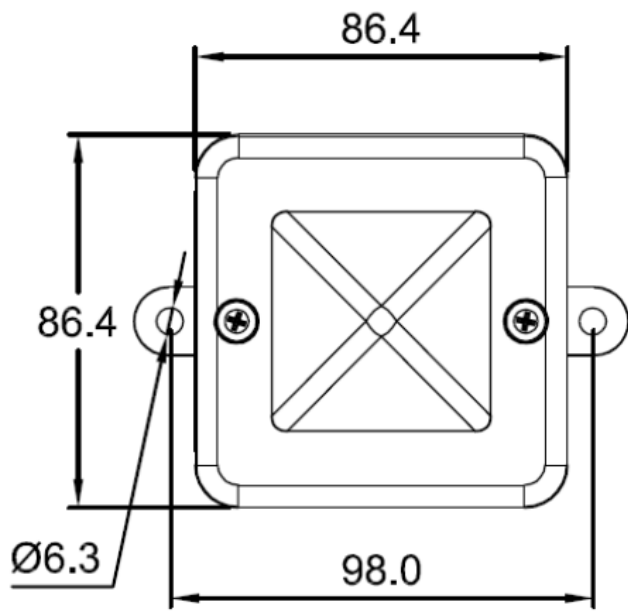
 IP66

Description

- ✓ Pluggable terminals.
- ✓ In and out terminals.
- ✓ Multiple, user selectable flash rates.
- ✓ User replaceable Xenon tube lamp.
- ✓ Can be stacked to create multi-signal units.

The L-101-115Y is a compact, robust 5 Joule Xenon strobe beacon ideal for all general signalling applications including fire, security and process control. Features an automatically synchronised flash rate of 1Hz (60 flashes per minute).

Technical Dimensions



Specifications

GENERAL

Dimension (HxWxD) (mm)	86 x 86 x 83
Weight	0.20 kg
Energy	5 Joules (5Ws)
Flash rate	1Hz
Terminals	0.5 to 4 mm ² cables
Lens Colours	Red, Amber, Yellow, Green, Blue, Clear
Tube life	70% after 8000000 flashes
IP	IP-66
Operative temperature	-25 °C to +55 °C
Relative humidity	90% at 20 °C

VERSION:

115 VAC 50/60 Hz

VOLTAGE RANGE:

+/-10%

CURRENT MA:

70 mA

ITEM NUMBER

DESCRIPTION

2340220007	L-101-115R Xenon Strobe, 115V AC, IP-66 Red
2340220008	L-101-115A Xenon Strobe, 115V AC, IP-66 Amber
2340220009	L-101-115Y Xenon Strobe, 115V AC, IP-66 Yellow
2340220010	L-101-115G Xenon Strobe, 115V AC, IP-66 Green
2340220011	L-101-115B Xenon Strobe, 115V AC, IP-66 Blue
2340220012	L-101-115C Xenon Strobe, 115V AC , IP -66 Clear

ACCESSORIES

9021903001	Spare Lens for Beacon L101, Green
------------	--------------------------------------