



2340220015

## L-101-230Y

Xenon Strobes 230VAC, IP66, Yellow

- ✓ Pluggable terminals.
- ✓ In and out terminals.
- ✓ Multiple, user selectable flash rates.
- ✓ User replaceable Xenon tube lamp.
- ✓ Can be stacked to create multi-signal units.

 IP66

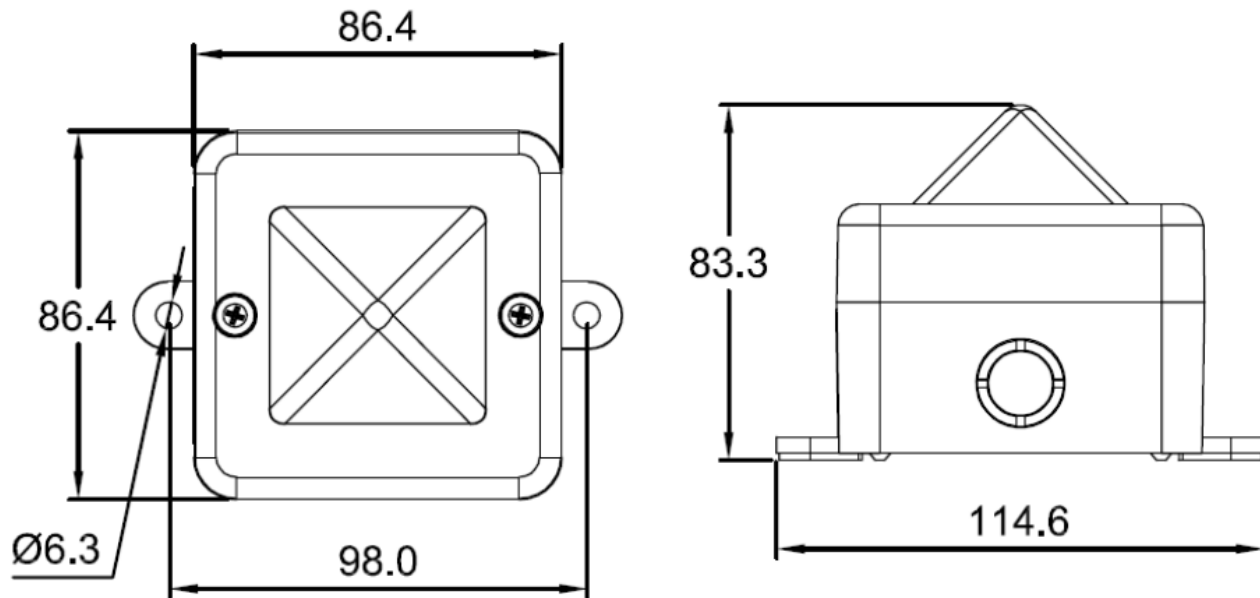
## Description

The L-101-230Y is a compact, robust 5 Joule Xenon strobe beacon ideal for all general signalling applications including fire, security and process control. Features an automatically synchronised flash rate of 1Hz (60 flashes per minute).

### Also available in following colors:

- ✓ 2340220013 - L-101-230R Xenon Strobe, 230V AC, IP-66 Red
- ✓ 2340220014 - L-101-230A Xenon Strobe, 230V AC, IP-66 Amber
- ✓ 2340220015 - L-101-230Y Xenon Strobe, 230V AC, IP-66 Yellow
- ✓ 2340220016 - L-101-230G Xenon Strobe, 230V AC, IP-66 Green
- ✓ 2340220017 - L-101-230B Xenon Strobe, 230V AC, IP-66 Blue

## Technical Dimensions



# Specifications

## GENERAL

Dimension (HxWxD) (mm)	86 x 86 x 83
Weight	0.20 kg
Energy	5 Joules (5Ws)
Flash rate	1 Hz
Terminals	0.5 to 4 mm <sup>2</sup> cables
Lens Colours	Red, Amber, Yellow, Green, Blue, Clear
Tube life	70% after 8000000 flashes
IP	IP-66
Operative temperature	-25 °C to +55 °C
Relative humidity	90% at 20 °C

## VERSION:

## VOLTAGE RANGE:

## CURRENT MA:

230 VAC 50/60 Hz

+/-10%

35 mA

ITEM NUMBER	DESCRIPTION
2340220013	L-101-230R Xenon Strobe, 230V AC, IP-66 Red
2340220014	L-101-230A Xenon Strobe, 230V AC, IP-66 Amber
2340220015	L-101-230Y Xenon Strobe, 230V AC, IP-66 Yellow
2340220016	L-101-230G Xenon Strobe, 230V AC, IP-66 Green
2340220017	L-101-230B Xenon Strobe, 230V AC, IP-66 Blue
2340220018	L-101-230C Xenon Strobe, 230V AC, IP-66 Clear

#### ACCESSORIES

9021903001	Spare Lens for Beacon L101, Green
------------	--------------------------------------