



2340200030

## BS-21ExeN

Ex beacon, 24-48VDC

This product has been discontinued.

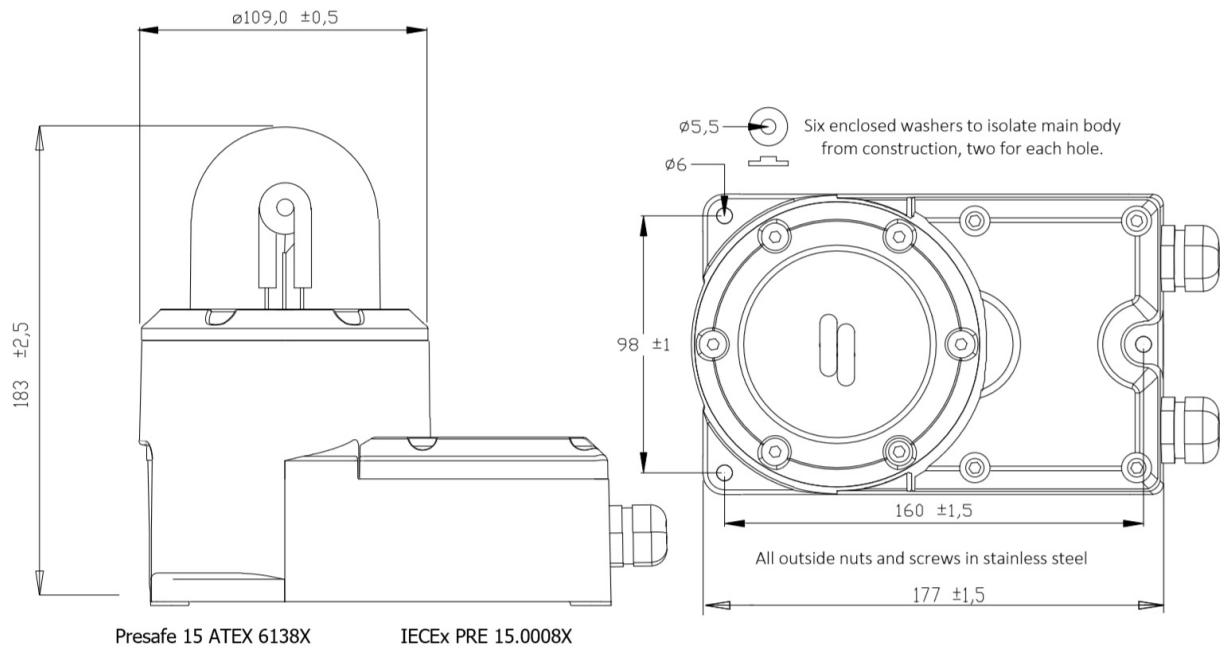
 IP66  Atex

## Description

This Ex approved beacon is made of anodized aluminum alloy and powder coated to assure the quality of the product:

- ✓ Enclosure Colour: RAL 7035
- ✓ Lens Colour: Yellow
- ✓ Voltage DC: 24-48V
- ✓ Delivered with 2 x M20 plastic Ex blanking plugs

## Technical Dimensions



# Specifications

## DESCRIPTION

Material / Color	Aluminum alloy / RAL 7035
Mounting	Screws
Termination	Push-In terminal
IP-rating	66
Max. / min. amb. temp	58°C/-50°C (T3)
Rated energy	21 Joule
Lamp type	Xenon
Cable entries	M20
Weight	2,4 kg
Flash rate	1 Hz
Dome	Borisilicate glass
Voltage DC	24V - 48V
Rated current 24V Dc	Average: 0,625A; Max: 2,9A
Rated current 48V Dc	Average: 0,375A; Max: 1,9A
Luminous intensity	Between 300 and 400 candelas
Lens Color	Yellow