

2310131014

## DS-2XE6222F-IS/316L

EXIR Fixed Bullet Explosion Proof Network Camera



- ✓ 1/2.7" Progressive Scan CMOS
- ✓ 1920 × 1080 @25fps frame rate
- ✓ Housing material: Stainless steel 304 and 316L optional
- ✓ 120dB WDR
- ✓ 3D DNR
- ✓ Up to 30m IR range
- ✓ Explosion proof ATEX and IECEx certified
- ✓ Support H.265+/H.265/H.264+/H.264
- ✓ Support 128G on-board storage
- ✓ AC100V to 240V/PoE



Atex



IK10

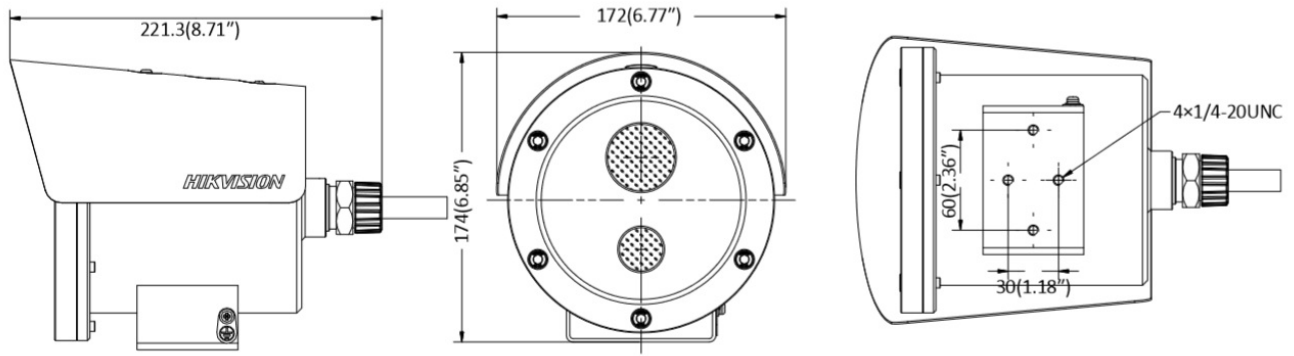
## Description

Explosion proof design: the camera has passed international ATEX and IECEx certifications, and can be used in gas and dust hazardous scenarios.

316L stainless steel enclosure and anti-corrosion spray treatment, protecting the camera from damage caused by sparks or corrosive materials.

IP68/IK08 water resistant and vandal proof, preventing water ingress for outdoor use. H.265+/H.265/H.264+/H.264 encoding: efficient compression technology saves storage space and reduces bandwidth requirements. 100 VAC to 240 VAC wide range power supply: easy to deploy cables and safer compared to a power adapter solution

## Technical Dimensions



# Specifications

## DESCRIPTION

Image Sensor	1/2.7" Progressive Scan CMOS
Signal System	PAL/NTSC
Min. Illumination	0.01Lux @(F1.2,AGC ON) ,0 Lux with IR on
Shutter time	1 s to 1/100,000 s
Lens	4/6/8/12/16mm optional
Lens Mount	M12
Day& Night	ICR (Auto/Schedule/Alarm Trigger)
Wide Dynamic Range	120 dB
Digital noise reduction	3D DNR
Video Compression	H.265/H.264/MJPEG
H.264 code profile	Baseline profile/main profile/high profile
Video bit rate	32Kbps~16Mbps
Max. Image Resolution	1920 x 1080
Frame Rate	50Hz: 25fps (1920 x 1080, 1280 x 960, 1280 x 720); 60Hz: 30fps (1920 x 1080, 1280 x 960, 1280 x 720)
Sub Stream	50Hz: 25fps (704 x 576, 640 x 480, 352 x 288, 320 x 240); 60Hz: 30fps (704 x 480, 640 x 480, 352 x 240, 320 x 240)
Third Stream	50Hz: 25fps (1920 x 1080, 1280 x 960, 1280 x 720, 704 x 576, 640 x 480, 352 x 288, 320 x 240); 60Hz: 30fps (1920 x 1080, 1280 x 960, 1280 x 720, 704 x 480, 640 x 480, 352 x 240, 320 x 240)
Image Enhancement	DIC/3D DNR

Image Enhancement	BLC/3D DNR
Image Settings	Rotate mode, Saturation, Brightness, Contrast adjustable by client software or web browser
ROI	Support 4 customized region for each stream, and face dynamic tracking
Day/Night Switch	Auto/Schedule/Triggered by Alarm In
Network Storage	microSD/SDHC/SDXC card (128G), local storage and NAS (NFS,SMB/CIFS), ANR
Alarm Trigger	Motion detection, Dynamic Analysis, Tampering alarm, Network disconnect, IP address conflict, Storage exception
Protocols	TCP/IP, ICMP, HTTP, HTTPS, FTP, DHCP, DNS, DDNS, RTP, RTSP, RTCP
General Function	Mirror, anti-flicker, heartbeat, watermark, password protection, privacy mask
System Compatibility	ONVIF (Profile S, Profile G), ISAPI
Communication Interface	RJ45 10M / 100M Ethernet interface
Alarm	2 alarm input, 2 alarm output
On-board storage	Built-in Micro SD/SDHC/SDXC slot, up to 128 GB
Smart Feature-set	Behavior Analysis, Line Crossing Detection, Intrusion Detection, Region Entrance, Region Exiting, Unattended Baggage, Object Removal, Exception Detections, Recognition
Operating Conditions	-30 °C ~ 60 °C; Humidity 95% (non-condensing)

95% (non-condensing)

Power Supply	AC 100 V to 240 V
Power Consumption	Max. 7W
Impact Protection	IK10
IR Range	Up to 30m
Dimensions	202 × 174 × 172 mm
Weight	7.34 kg

## OTHER MODELS

2310131015	DS-2XE6222F-IS/304 EX-proof Camera SST 304, 1080p, IP68
------------	---

## ACCESSORIES

2310111122	DS-1701ZJ Wall mount bracket
2310111133	DS-1706ZJ PT joint for DS-2XE6222
2310131021	DS-2780ZJ-X/316L Ex-proof Junction box, SST, IP68, ATEX/IECE

## Accessories



### DS-2780ZJ-X316L

Explosion-Proof Terminal Box,  
SST, IP68, ATEX\_IECEx