

2310111109

MIC-7522-Z30B

Outdoor camera, 1080p, 30x zoom, IP68



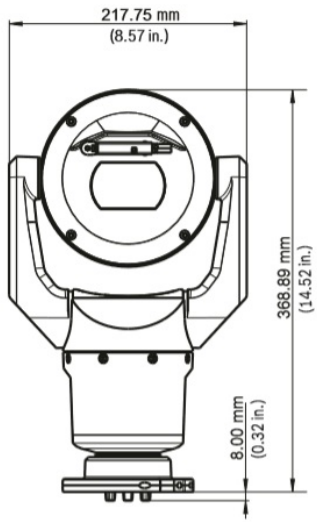
- ✓ Exceptional low-light performance
- ✓ Exceptional strength and ruggedness for any outdoor application including traffic monitoring (bridges, tunnels, or highways), perimeter protection, city surveillance and mining
- ✓ Built-in Intelligent Video Analytics alert operators in case of unusual scene activity
- ✓ Edge intelligence with Intelligent Tracking and object detection even when the camera is moving
- ✓ Excellent low-light sensitivity (color = 0.0077 lx) and High dynamic range (120 dB) (to see details in bright and dark areas simultaneously)
- ✓ Robust design rated to an industry-leading IP68, Type 6P, IK10
- ✓ H.265 high-efficiency video encoding



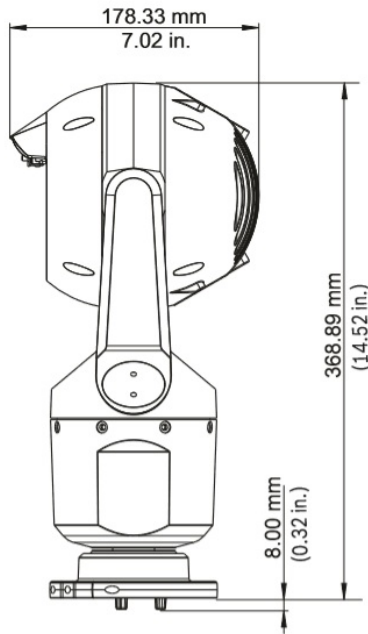
Description

The MIC IP starlight 7100i camera is an advanced PTZ surveillance platform for mission-critical applications. With starlight imaging technology and excellent lowlight sensitivity, the camera is the perfect solution for robust and high-quality imaging needs. The camera's ruggedized design meets customer expectations in demanding environments that exceed the capabilities of conventional IP cameras. Even in installations subject to harsh shock/vibration conditions and/or extreme weather, the camera provides high-quality video images.

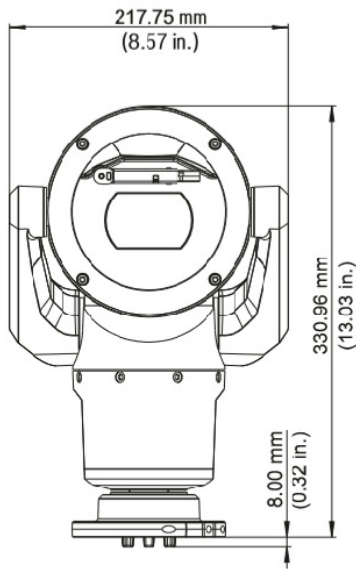
Technical Dimensions



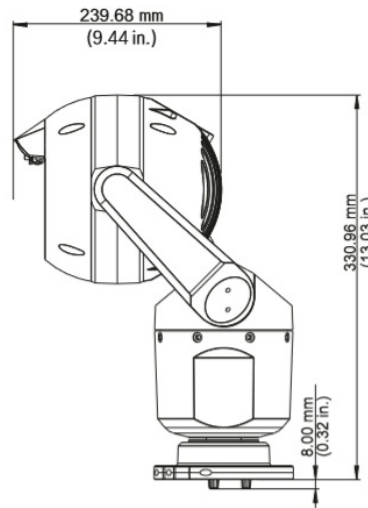
Front view - upright



Side view - upright



Front view - canted



Side view - canted

Specifications

DESCRIPTION

Imager	1/2.8-type Exmor R CMOS sensor
Effective Picture Elements (Pixels)	1945 x 1097 (2.13 MP)
Lens	30x motorized Zoom, 4.3 mm to 129 mm, F1.6 to F4.7
Field of View (FOV)	2.3° to 63.7°
Digital Zoom	12x
Video performance - Sensitivity	(3100K, reflectivity 89%, 1/30, F1.6, 30 IRE), Color 0.0077 lx, Monochrome 0.0008 lx
Standard/Video compression	H.265, H.264 (ISO/IEC 14496), M-JPEG, JPEG
Ethernet	10BASE-T/100BASE-TX, auto-sensing, half/ full duplex
Protocols	IPv4, IPv6, UDP, TCP, HTTP, HTTPS, RTP/ RTCP, IGMP V2/V3, ICMP, ICMPv6, RTSP, FTP, ARP, DHCP, APIPA (Auto-IP, link local address), NTP (SNTP), SNMP (V1, V3, MIB-II), 802.1x, DNS, DNSv6, DDNS (DynDNS.org, selfHOST.de, no-ip.com), SMTP, iSCSI, UPnP (SSDP), DiffServ (QoS), LLDP, SOAP, Dropbox™, CHAP, digest authentication
Tilt Angle	Without illuminators (camera upright): 290°, Without illuminators (Inverted): 250°, With illuminators: 186.6°
Tilt Range	Upright/Inverted -55° +90°, Canted -90° +90°
Ingress Protection Rating	IP68
External Mechanical Impact	IK10 (excluding glass window)
Wind Load	241 km/h (sustained). Gusts up to 290 km/h
Operating temperature	-40 °C to +65 °C
Dimension (WxHxD)	217,75 x 368,89 x 178,33 mm
Weight	6,7 Kg
Power, network	Without illuminator: RJ-45 100 Base-TX Ethernet PoH (60 W midspan), or HPoE 95 W midspan. With illuminator: HPoE 95 W midspan
Power, camera	24 VAC (power supply)
Construction Material	Cast solid aluminum
Electromagnetic Compatibility (EMC)	Complies with FCC 47 CFR Part 15, ICES-003, and CE regulations, including latest versions of: EN 50130-4, EN 61000-3-3, EN 50121-4 (Railway applications), EN 55032, EN 61000 3-2, AS/NZS CISPR 22

Product Safety	Complies with UL, CE, CSA, EN, and IEC Standards including: UL 62368-1, UL 60950-1 Ed. 2, CAN/CSA-C22.2 No. E60950-1B-07, EN 62368-1
Marks	UL, CE, WEEE, RCM, EAC, VCCI, FCC, RoHS
OTHER ACCESSORIES	
2310102108	MIC-ILB-300 Illuminator white-IR light, 450m, black

Accessories



NPD-6001A

Midspan single port 60W



NPD-9501A

Midspan single port 95W



MIC-ALM-WAS-24

Alarm / washer interface board for MIC IP cameras



MIC-DCA-HB

MIC hinged alu bracket



450m Illuminator MIC-ILB-400

Infrared Light



WAS0V5L5M00 Washer Tank 5L

Washer Tank