

2310131016

DS-2XE6422FWD-IZHRS

Explosion-Proof IP Bullet Camera, 2MP, w/ wiper



- ✓ Up to 2 MP high resolution
- ✓ 120dB Wide Dynamic Range
- ✓ Lens, 2.8 to 12mm and 8 to 32 mm optional
- ✓ H.265, H.265+, H.264, H.264+
- ✓ Three video streams
- ✓ Behavior analyses, exception detections, statistics and face detection
- ✓ Support on-board storage, up to 128 GB
- ✓ IR range 80 m for 2.8 to 12 mm lens
- ✓ Wiper
- ✓ Power supply: 100 VAC to 240 VAC and PoE (802.3at, class 4)
- ✓ IP68



Description

The DS-2XE6422FWD-IZHRS has explosion-proof design: the camera has passed international ATEX & IECEx certifications, and can be used

in gas and dust hazardous scenarios

It comes with 316L stainless steel enclosure and anti-corrosion spray treatment, protecting the camera from damage caused by sparks or corrosive materials

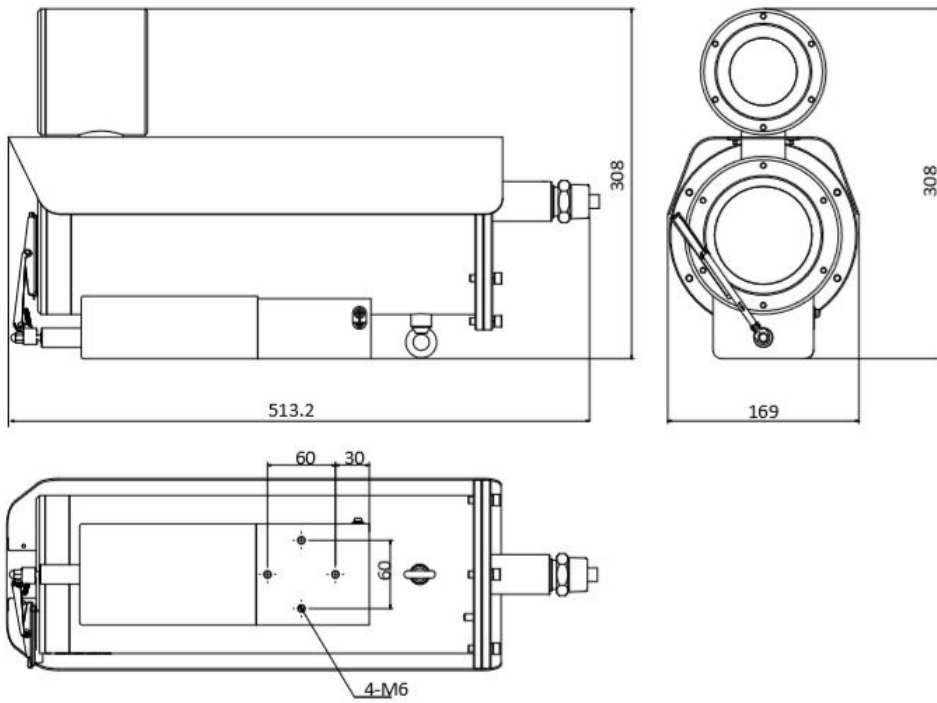
It is IP68 water resistant, preventing water ingress for outdoor use

The DS-2XE6422FWD-IZHRS offers H.265+/H.265/H.264+/H.264 encoding: efficient compression technology saves storage space and reduces

bandwidth requirements

This camera runs on AC 100 V to 240 V wide range power supply: easy to deploy cables and safer compared to a power adapter solution

Technical Dimensions



Unit: mm

Specifications

DESCRIPTION

Image Sensor	1/1.8" Progressive Scan CMOS
Min. Illumination	0.001Lux @(F1.2,AGC ON), 0 Lux with IR on
Shutter time	1 s to 1/100,000 s
Lens	2.8 -12 mm, 8-32mm optional
Day& Night	IR Cut Filter
Wide Dynamic Range	120 dB
Video Compression	H.265+/H.265/H.264+/H.264 /MJPEG
Video bit rate	32Kbps~16Mbps
Audio Compression	G.711/G.722.1/G.726/MP2L2 /PCM
Audio bit rate	64Kbps(G.711)/16Kbps(G.7 22.1)/16Kbps(G.726)/32- 192Kbps(MP2L2)
Max. Image Resolution	1920 x 1080
Sub Stream	50Hz: 25fps (704 x 576, 640 x 480, 352 x 288, 320 x 240); 60Hz: 30fps (704 x 480, 640 x 480, 352 x 240, 320 x 240)
Third Stream	50Hz: 25fps (1920 x 1080, 1280 x 960, 1280 x 720, 704 x 576, 640 x 480, 352 x 288, 320 x 240); 60Hz: 30fps (1920 x 1080, 1280 x 960, 1280 x 720, 704 x 480, 640 x 480, 352 x 240, 320 x240)
Image Settings	Rotate mode, saturation, brightness, contrast, sharpness, AGC, and white balance are adjustable by client software or web browser
Network Storage	microSD/SDHC/SDXC card (128G), local storage and NAS (NFS,SMB/CIFS), ANR
	TCP/IP, ICMP, HTTP, HTTPS, FTP, DHCP, DNS,

Protocols	DDNS, RTP, RTSP, RTCP, PPPoE, NTP, UPnP, SMTP, SNMP, IGMP, 802.1X, QoS, IPv6, UDP, Bonjour
Alarm Trigger	Motion detection, video tampering alarm, network disconnected, IP address conflict, illegal login, HDD full, HDD error
Behavior analysis	Line crossing detection, intrusion detection, region entrance detection, region exiting detection, unattended baggage detection, object removal detection
Communication Interface	1 RJ45 10 M/100 M/1000 M self-adaptive Ethernet port
Audio	1 input: 1-ch 3.5mm audio interface (2.0~2.4Vp-p, 1k Ω), 1 output: 1-ch 3.5mm audio interface
Alarm	2 alarm input, 2 alarm output (up to 24 VDC, 1 A or 110 VAC, 500 mA)
Video Output	1Vp-p Composite Output (75 Ω , BNC)
IR Range	2.8 mm to 12 mm lens: up to 80 m (262.5 ft.)
Operation Condition	-40°C to +60°C; Humidity 95% or less (non-condensing)
Power Supply	100 VAC to 240 VAC, three-core terminal block
Power Consumption	85 VAC to 245 VAC, 0.38 A to 0.18 A, max. 22.6W; PoE (802.3at, 42.5 V to 57 V), 0.56 A to 0.42 A, max. 23.6W
Weather Proof	IP68
Dimensions	494 × 169 × 308 mm
Weight	17.8 kg

ACCESSORIES

2310111122	DS-1701ZJ Wall mount bracket
2310111133	DS-1706ZJ PT joint
2310111125	60W High PoE midspan (PoE injector) 110-230VAC
2310131021	DS-2780ZJ-X/316L Ex-proof Junction box, SST, IP68, ATEX/IECE

Accessories



LAS60-57CN-RJ45

60W High PoE midspan (PoE injector) 110-230VAC



DS-2780ZJ-X316L

Explosion-Proof Terminal Box, SST, IP68, ATEX_IECE