

2310131010

## MVX-HD2-F0WAZ01A

Explosion-Proof IP Camera, 1080p, 30x zoom, Wiper



- ✓ Certifications for use in Zones 1 and 2, IIC T5 and T6 Group (Gas) and in Zones 21 and 22, IIC T100°C and T85°C Group (Dust)
- ✓ Marine Certification: Lloyd's Register Marine Type Approval
- ✓ AISI 316L stainless steel construction
- ✓ External shot peened and electro-polished surfaces
- ✓ Camera Full HD 1080p, 30x, 60fps
- ✓ Minimum Illumination:
  - ✓ Colour: 0.006lx
  - ✓ B/W: 0.0006lx

ONVIF ONVIF Conformant



Onboard communication



IP66



IP67



Atex

## Description

The Full HD explosion-protected MAXIMUS MVXHD is perfect for effective video surveillance and process control in harsh settings where the presence of gases or flammable dust can create a potentially explosive environment, a reality often found in the oil and gas industries or marine and industrial sectors. The Full HD, 1080p, 60fps, camera with 10x or 30x motorised zoom lens for easier setup, offers multiple video streams (H.264/AVC or MJPEG) and provides exceptional image quality, picking out every detail in a scene, even in the harshest environmental conditions.

One striking advantage offered by these cameras is their extremely easy and secure "plug and play" installation, with multipolar wiring. These cameras arrive ready to use, avoiding the complex electrical connections that are typical of this type of device.

The housing is compact yet functional and is made entirely out of AISI316L stainless steel. Its resistance to corrosion is not only guaranteed, but is also enhanced by way of polishing processes.

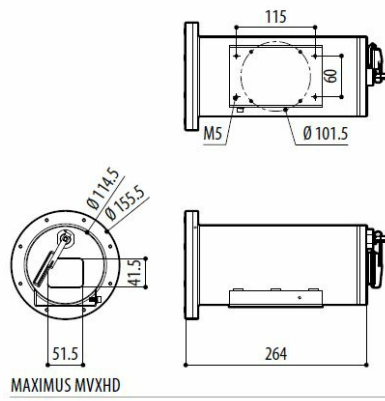
Another important feature of the camera is the extended certification temperature range of -60°C to 65°C, along with a sophisticated cold start system, which allows it to operate in harsh environments as standard.

An equally noteworthy point is that the IP66/IP68 ratings guarantee the complete protection against harsh weather and submersion in up to 5 metres of water for 2 hours. Moreover, the IP69 rating allows the device to be cleaned with high pressure water jets.

These cameras come with wipers and an explosion-proof washer kit is also available, allowing for flawless, maintenance-free cleaning of the front glass. The MAXIMUS MVX range of cameras meets every installation need, providing maximum performance and excellent value for money.

## Technical Dimensions

The indicated measurements are expressed in millimetres.



# Specifications

## DESCRIPTION

Material	AISI 316L stainless steel
Unit weight	8.5 Kg
Cable entry	1 hole, 3/4" NPT
Supply voltage/Current consumption	24Vac $\pm$ 10%, 2.2A, 50/60Hz; 24Vdc $\pm$ 5%, 2.2A; 12Vdc $\pm$ 5%, 3.5A
Ethernet connection	RJ45, 100 Base-TX
Device configuration	CP/IPv4-IPv6, UDP/IPv4-IPv6, HTTP, HTTPS, NTP, DHCP, WS-DISCOVERY, DSCP, IGMP (Multicast), SOAP, DNS
Streaming	RTSP, RTCP, RTP/IPv4, HTTP, Multicast
Video compression	H.264/AVC, MJPEG, JPEG, MPEG4
Image resolution	from 320x180pixel to 1920x1080pixel
I/O Interface	Alarm inputs: 1; Relay outputs: 1 (1A, 30Vac/60Vdc max)
Camera Resolution	Full HD 1080p (1920x1080pixel)
Image Device:	1/2.8" Exmor™ R CMOS sensor
Effective Pixels	Approx. 2.38 Megapixels
Focal length	from 4.5mm (wide) to 135mm (tele)
Zoom	30x (480x with digital zoom)
Iris	Auto, Manual (from F1.6 to F9.6, 10 steps)
Horizontal Viewing Angle	from 61.6° (wide end) to 2.50° (tele end)
Vertical Viewing Angle	from 37.07° (wide end) to 1.44° (tele end)
Shutter speed	from 1/1s up to 1/10000s (Auto, Manual)
Gain	Auto, Manual (from 0dB to 36dB)
Wide Dynamic Range	120dB
Exposure Control	Auto, Manual, Priority (Iris Priority, Shutter Priority), Brightness, Custom
Operating temperature	from -40°C (-40°F) to +65°C
Certifications - Marine applications	Lloyd's Register Marine Type Approval certification: Test Specification Number 1 (ENV1, ENV2, ENV3, ENV5); Electromagnetic compatibility: EN60945; Salty fog resistance: EN60068-2-52; Tested at 70°C for 16 hours in compliance with EN60068-2-2

## Accessories



MBX2MAA Communication box

EXPLOSION-PROOF  
COMMUNICATION BOX IN STAINLESS  
STEEL



NXWBS1 Wall Bracket

Wall bracket for MVX Ex housings



WASEX2T4AT EX

WASEX WASHER PUMP WITH EX-  
PROOF SOLENOID VALVE