

3006102006

AL-1000

Combined audible/visual 230VAC, 100dB, IP-66

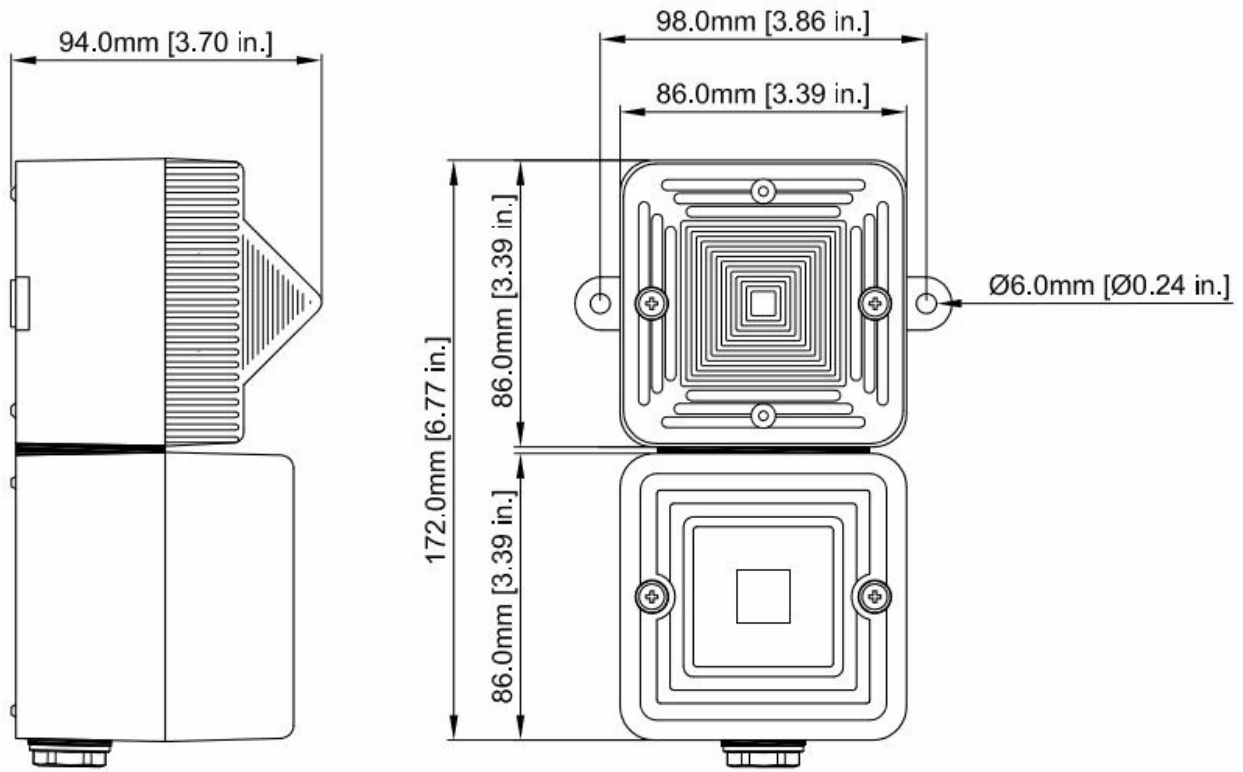


Description

AL100 is a high output, 104dB(A) alarm sounder combined with a 5 Joule Xenon strobe beacon. The compact, robust housing is ideal for all general signalling applications including fire, security and process control.

- ✓ High sound output
- ✓ Lens Colour: Orange
- ✓ High flash energy
- ✓ 32 Alarm tones
- ✓ 3 stage of alarm
- ✓ Automatic synchronisation
- ✓ Complies with European norms for fire alarm installations
- ✓ Small and compact housing

Technical Dimensions



Specifications

GENERAL

Weight	0.57 Kg
Dimensions (WxHxD) mm	86 x 172 x 94
Voltages	230V AC
Maximum output	104dB(A) @ 1 metre [95dB(A) @ 10ft/3m]
Nominal output	100dB(A) @ 1m +/- 3dB - Tone 2 [91dB(A) @ 10ft/3m]
Flash energy	5 Joules (Ws)
Flash rate	1Hz (60 fpm)
Volume control	Max. 100dB(A); Min. 90dB(A) - Tone 2
Operating temperature	-25 to +55°C
Storage temperature	-40 to +70°C
Relative humidity	90% at 20°C
Ingress protection	IP-66
Cable entry	4 x M20 clearance gland knockouts in side & back
Housing material	High impact UL94 V0 & 5VA FR ABS
Housing colour	Red (RAL3000), grey (RAL7038) & white
Current, xenon beacon	35mA
Current, alarm sounder	15mA

OTHER MODELS**DESCRIPTION**

3006102083	AL-100B COMBINED AUDIBLE/VISUAL DEVICE 230V AC IP-66 - 100dB - BLUE
------------	--

4000100651	AL-100C COMBINED AUDIBLE/VISUAL DEVICE 230VAC IP-66 - 100dB - CLEAR
------------	--

ACCESSORIES

9021903001	Spare Lens for AL-100, Green
------------	---------------------------------
