

2310111148

DS-2TD2466-25Y thermal camera

Thermal imaging IP Camera



- ✓ Stainless steel Anti-Corrosion Thermal Camera
- ✓ Leading image processing technology: Adaptive AGC, DDE, 3D DNR, NETD less than 40 mk (0.04°C), F#=1.0
- ✓ Powerful behavior analysis function, based on deep learning algorithm: Line crossing, Intrusion, Region Entrance Exit
- ✓ Reliable temperature exception alarm function
- ✓ Advanced fire detection algorithm
- ✓ Thermal field of view 24,55 x 19,75 deg
- ✓ 640 x 512 resolution sensor, high sensitivity sensor, support contrast adjustment
- ✓ Shutter adjustment in various modes
- ✓ 3D DNR, 15 palettes of color adjustable, image detail enhancement
- ✓ 24VAC or PoE+ supported (20W)

 IP66

Description

DS-2TD2466-25Y Anti-corrosion Thermal Network Bullet Camera is applied to perimeter defense and fire-prevention purposes in critical infrastructures. For marine applications this might be cargo hold areas, car decks, explosive and flammable areas etc. With the vanadium oxide uncooled focal plane sensor, the thermal camera enhances the thermal image quality. It adopts 316L stainless steel material to meet the requirements of used in anti-corrosion environment.

Smart Function (Thermal Imaging)

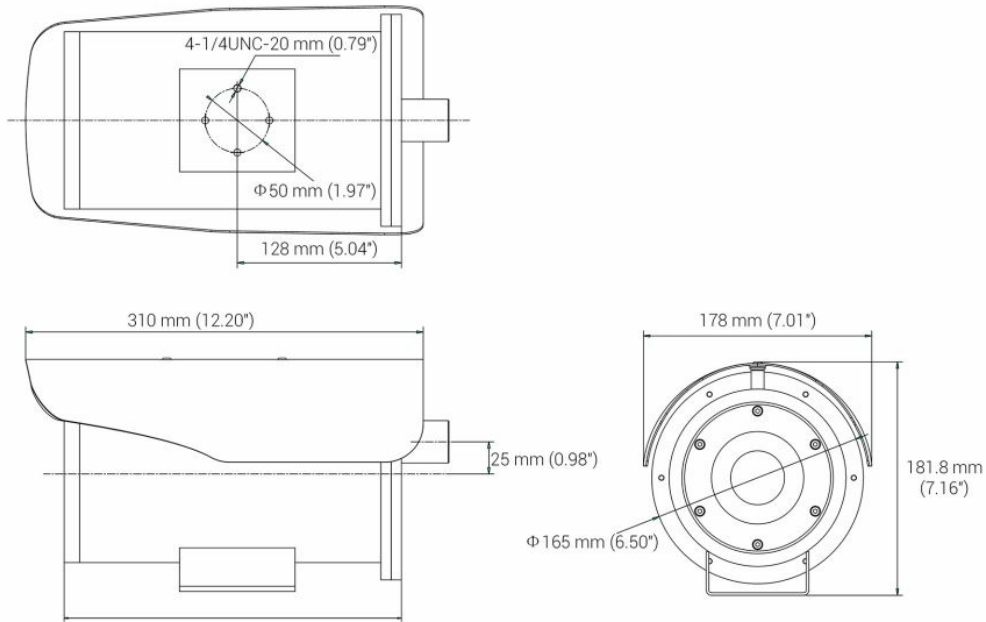
- ✓ Leading image processing technology: Adaptive AGC, DDE, 3D DNR, NETD less than 40 mk (@25°C, F#=1.0)
- ✓ Powerful behavior analysis function based on deep learning algorithm: Line crossing, Intrusion, Region Entrance & Exit
- ✓ Reliable temperature exception alarm function
- ✓ Advanced fire detection algorithm

Thermal Imaging Module Function

- ✓ 640 x 512 resolution sensor, high sensitivity sensor, support contrast adjustment
- ✓ Shutter adjustment in various modes
- ✓ 3D DNR, 15 palettes of color adjustable, image detail enhancement

Technical Dimensions

Dimensions



Specifications

DESCRIPTION

Main Stream	50fps (640× 512, 384× 288, 352× 288)
Sub Stream	50fps (640× 512, 384× 288, 352× 288)
Third Stream	50fps (640× 512, 384× 288, 352× 288)
Video Compression	H.264 (Baseline/Main/High Profile) /MJPEG/H.265, H.264+, H.265+
Audio Compression	G.711u/G.711a/G.722.1/MP2L2/G.726 /PCM
Protocols	IPv4/IPv6,HTTP,HTTPS,802.1x,Qos ,FTP,SMTP,UPnP,SNMP,DNS,DDN S,NTP,RTSP,RTCP,RTP,TCP,UDP, IGMP,ICMP,DHCP, PPPoE, Bonjour
Simultaneous live view	Up to 20-ch
User/Host Level	Up to 32 users, 3 levels: Administrator, Operator, User
Security Measures	User authentication (ID and PW), MAC address binding, HTTPS encryption, IEEE 802.1x access control, IP address filtering
Alarm Input	2-ch Inputs (0-5V DC)
Alarm Action	Preset/Patrol Scan/Pattern Scan/SD Card Record/Relay Output/Smart capture/FTP upload/Email linkage
Alarm Output	2-ch Relay Output; Support Alarm Linkage
Audio Input	1-ch 3.5mm Mic in/Line in interface. Line input: 2-2.4 V[p-p], output impedance:1KΩ±10%
Audio Output	Linear Level; Impedance: 600Ω
Ethernet	1x RJ45 10M/100M Self-adaptive Ethernet interface
Analog Video Output	1.0V [p-p]/75Ω, PAL/NTSC/BNC
Web Browser	IE 7+, Chrome 18+, Firefox 5.0+, Safari 5.02+; Multiple Languages
Power	POE+ (802.3at), 24VAC, 12VDC/3A, 10W (24W with De-icing Heater On)
Working Temperature/ Humidity	From -40 °C to 65 °C; Humidity: 90% or Less
Protection Level	IP66 Standard; TVS 6000V Lightning Protection, Surge Protection and Voltage Transient Protection
Dimensions	310 mm × 25 mm × 263 mm
Weight	16.86Kg

THERMAL MODULE

Image sensor	Vanadium Oxide Uncooled Focal Plane Arrays
Max. Resolution	640x512
Detector Pitch	17um
Response Wavebond	8um to 14um
NETD	< 40mk(@25°C,F#=1.0)
Lens (focal length)	25mm
MRAD	0.68 mrad
Field of View	24.55°x 19.75°
Min. Focusing Distance	2m
F number	1.0

SMART FUNCTION

VCA	Support 4 VCA rule types (Line Crossing, Intrusion, Region Entrance, and Region Exiting), 8 VCA rules
Temperature Measurement	upport 3 temperature measurement rule types, 21 rules (10 points, 10 regions, and 1 line)
Temperature Range	-20 °C to 150 °C
Temperature Accuracy	±8 °C

ACCESSORIES

231011122	DS-1701ZJ Wall mount bracket
231011123	SST 316L Junction box

Accessories



SST 316L Junction Box

Junction box for OC-series CCTV cameras DS-1284ZJ-M



DS-1701ZJ bracket

Anti-Corrosion Wall Mounting Bracket for Box Camera