

3006200024

VSP-122P

Portable Station Batteryless Telephone System 12-Way



- ✓ Portable substation
- ✓ 12 extensions selector
- ✓ Waterproof housing
- ✓ Carry handle and 5 meter cable with 16-pin Amphenol plug
- ✓ Used together with CD-16 at bridge wings and open deck areas

 IP66

Description

VSP-122P Portable Substation: Portable Batteryless Telephone

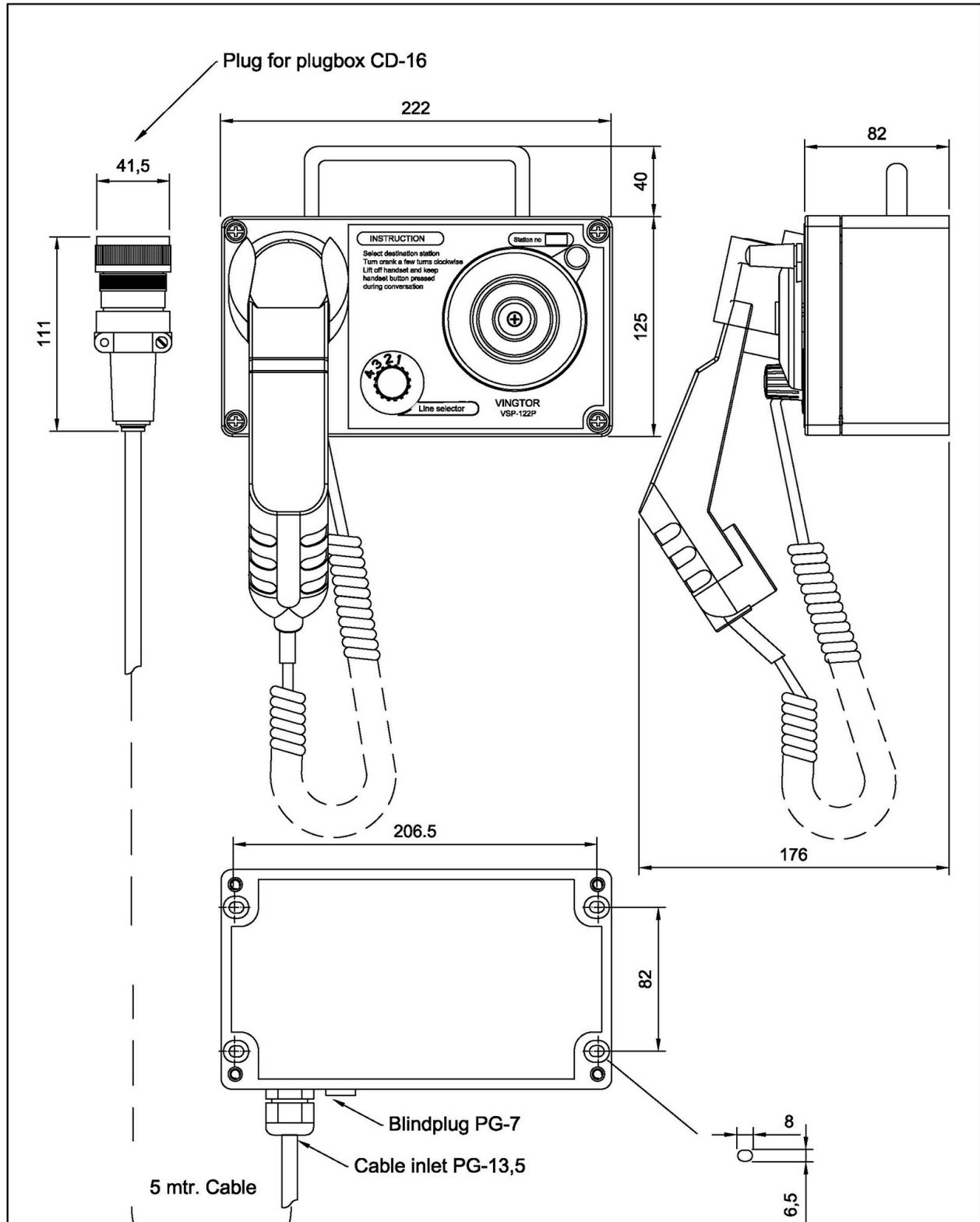
The VSP-122P Portable Substation expands our 12-Way Batteryless Telephone System with its portability and rugged design, making it an excellent choice for temporary or mobile communication needs.


Features:

- ✓ Watertight Construction: With a 5-meter cable and 16 pin Amphenol plug, ready for outdoor use.
- ✓ 12-Position Selector Switch: Ensures comprehensive communication capabilities, even on the go.
- ✓ Portable and Lightweight: Ideal for strategic use across various outdoor locations onboard during emergencies.

The VSP-122P provides a flexible, portable communication option, ensuring uninterrupted, clear communication across the vessel, vital for safety and operational efficiency.

Technical Dimensions



	BATTERYLESS TELEPHONE SYSTEM Main Station Watertight IP-65 Type VSP-122P Ver.6.0 O.no.3006200024 Dimension & Mounting details		Prepared by UT/SEN	Date 31.05.2011	Project no:	Revision by
	Approved by	Date	Sheet 1/1	Rev.date		
	Dwg.no. / File A100K11073			Rev. no. 00		

Specifications

GENERAL

Connections	CD-16 Plug box
Housing	ROSE Box (AISI12)
Handset	RA-250 w/ holder
Colour	Grey RAL7001 / Handset black
IP rating	IP-66
Weight	2.6 kg
Dimensions (WxHxD)	220 x 220 x 185 mm (with handset)
Operating temperature range	-25°C to 55°C

Accessories



CD-16

Plug Box

Item Number: 1020600982



IRR-24

Relay Box

Item Number: 3006202045



IRR-VSP-220

Relay box 220V AC for VSP-12 way

Item Number: 1020600995



VSP-36-PEL-A

Headset with boom mic, headband, and 10m cable

Item Number: 1020600771



VSP-36-PEL-A/20

Headset with boom mic, headband, and 20m cable

Item Number: 1020600772



CD-4

Plugbox Waterproof

Item Number: 1020159000



VSP-36-PELP-A

Headset with boom mic, headband, and 10m cable

Item Number: 1020600773



VSP-36-PELP-A/20

Headset with boom mic, headband, and 20m cable

Item Number: 1020600774



VSP-36-PELP-A/25

Headset with boom mic, headband, and 25m cable

Item Number: 1020600775