
1002500020

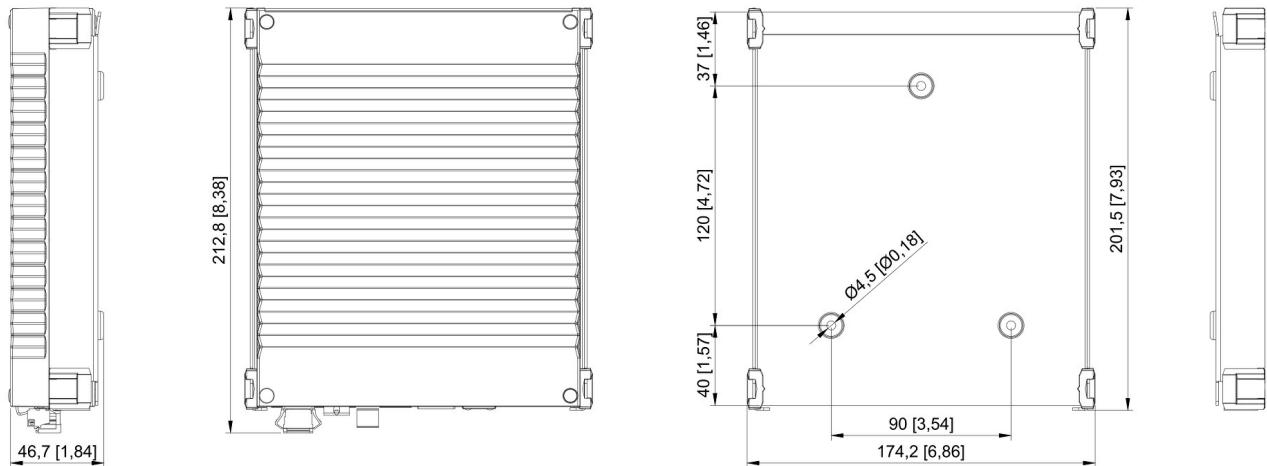
IA-MB1

Mounting Bracket for ICX-500/510

Description

The ICX-500/510 unit slides into the IA-MB1 Mounting Bracket in 4 possible orientations. To fix the the bracket to a wall or shelf, use flat head washer screws with a maximum head height of 3 mm.

Technical Dimensions



Specifications

GENERAL

Size (WxHxD)	202 x 169 x 28 mm
Weight	0.4 kg
Size with ICX500 mounted (WxHxD)	202 x 175 x 47 mm

Used With



ICX-500

Intelligent Communication Gateway with HD Voice



ICX-510-IA Intelligent Communication Gateway

ICX-510 incl ICX-AlphaCom Core



ICX-510 Unified Critical Communication Platform

Server platform for Zenitel Connect Pro, providing HD voice and video communications