

2310601035

170130-10

144x144MM, TC-M

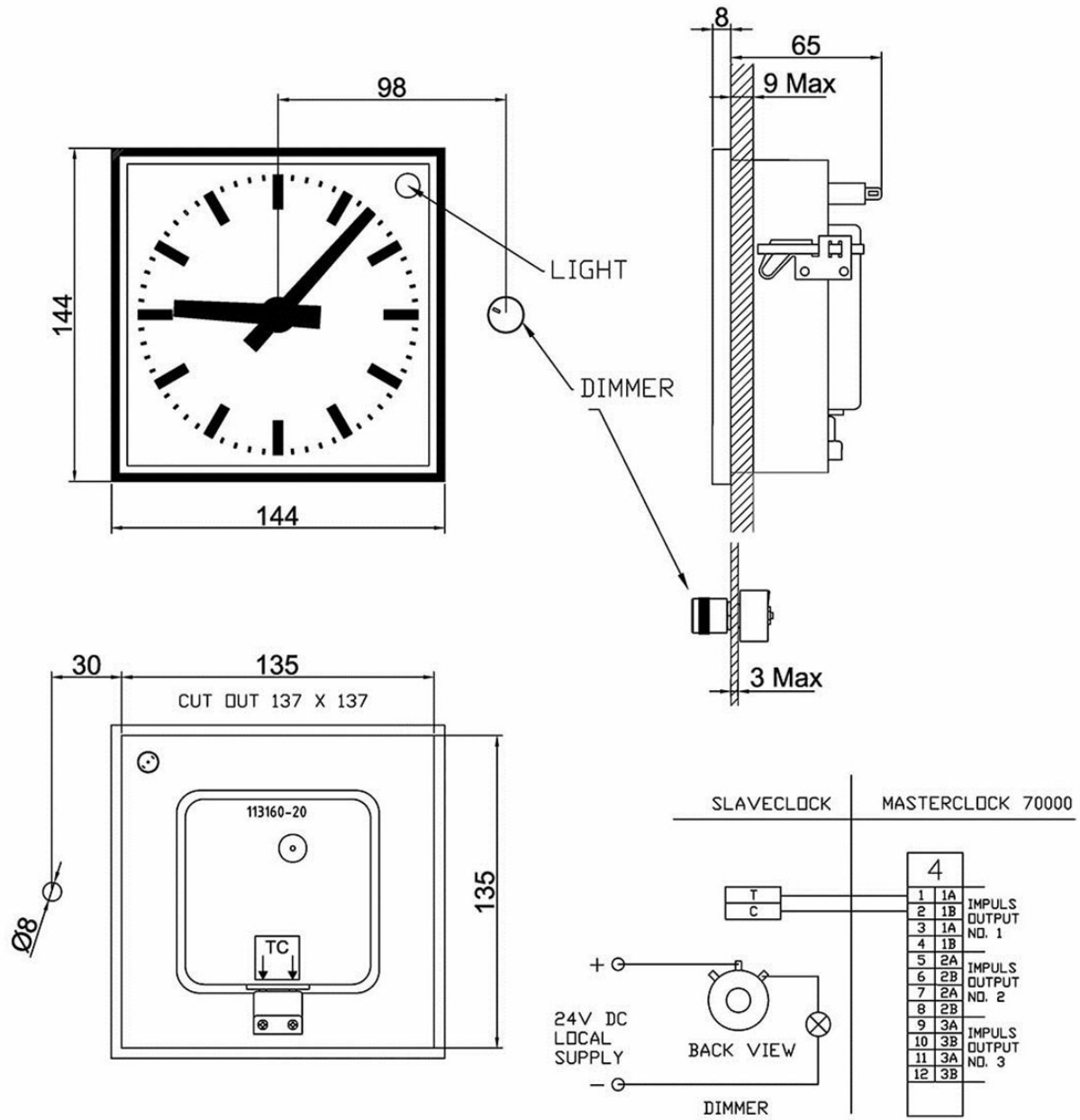


Description

- ✓ The clock is equipped with an adjustable background light and has black hour and minute hands
- ✓ External dimming potentiometer is included in the package
- ✓ The hands are protected by a plain acrylic glass
- ✓ DCF format with time zone adjustment
- ✓ 2-wire bus connection with power and serial time code

The analog clock for wired DCF Time-Code from Marine Master Clock provides the possibility to create a time distribution system, with high accuracy and high reliability. The clock is intended for connection to a 2-wire bus which combines power supply and serial Time-Code. A built-in microprocessor receives the Time Code, reads the position of the hands, and sets the clock to the correct time. The Time-Code, built up according to the DCF-format, contains information about year, month, day hour and minute. At each minute shift, seconds are synchronised as well. The transmission speed is 1 bit/second. A 24VDC power supply for the built-in electronics is combined with the Time-Code. The clock is intended for time zone adjustment from a Marine master clock.

Technical Dimensions



Specifications

GENERAL

Mounting	Console mounting
Housing	Anodized aluminium
Colour	Black frame, white face, black hands and marks
Dimensions (mm)	144W x 144H x 56D
Connection	2 wire
Connection voltage	24VDC combined with serial Time-Code
Type of time code	DCF-format with Time zone adjustment.
Microcontroller	PIC16F628
Temperature range	-20°C to +50°C
Power consumption	15 mA

PRODUCT VARIANTS

2310601037	170130-NTP, Slave clock 144x144mm NTP PoE
------------	---